

## Features

- High Lumen of branded CREE LED
- Low voltage-constant current 24VDC input
- Quick Connector in WAGO or AMPR plug
- Aluminum PCB, better heat diffusion
- Customized length available
- IP60 tested

## Application

- 10-15cm one side single lighting box
- 15-30cm double sided single lighting box

### BLUEVIEW ELEC-OPTIC TECH CO.,LTD

Tel: +86-28-8148 0011      Fax: +86-28-8148 1258  
Mail: sales@blueviewled.com      Web.: www.blueviewled.com  
Add: No.1000, Section 2, 2nd Konggang Road, Southwest  
Aviation Industrial Development Zone, Chengdu, Sichuan, China.  
Zip code: 610207

Specifications are subject to change without notice.  
© Blueview™ 2016 – All rights reserved. Made in China.

### Specifications

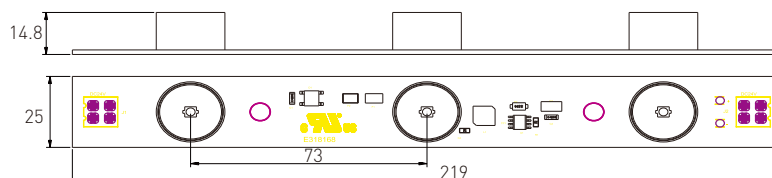
<b>Code name</b>	BV-BPS -219-3	BV-BPS -365-5	BV-BPS -438-6
<b>Color</b>	white		
<b>CCT(K)</b>	3000/4000/5000/6500		
<b>View Angle(°)</b>	15*60°		
<b>Luminous Flux(lm)</b>	610	1020	1200
<b>RA</b>	≥70		
<b>Light Efficiency(lm/w)</b>	77	77	80
<b>Voltage</b>	24VDC		
<b>Current(A)</b>	0.30	0.49	0.56
<b>Power(w)</b>	7.92	13.2	15.02
<b>Standard Serial connection Qty (pcs)</b>	10	6	5
<b>Operating Temperature(°C)</b>	-25~+60		
<b>Storage Temperature(°C)</b>	-25~+70		
<b>Protection Class</b>	IP60		

#### Color Available



### Structure Chart

Unit:mm[in]



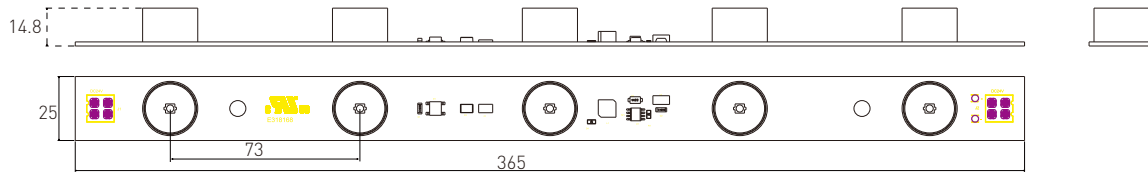
BV-BPS -219-3

#### BLUEVIEW ELEC-OPTIC TECH CO.,LTD

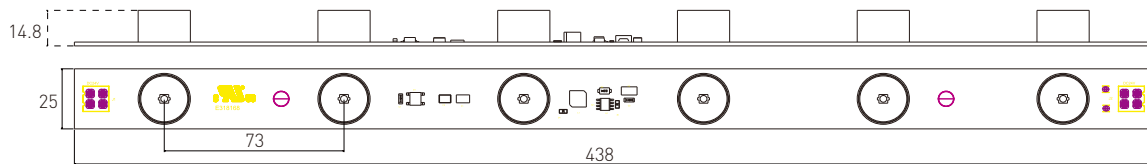
Tel: +86-28-8148 0011      Fax: +86-28-8148 1258  
 Mail: sales@blueviewled.com      Web.: www.blueviewled.com  
 Add: No.1000, Section 2, 2nd Konggang Road, Southwest  
 Aviation Industrial Development Zone, Chengdu,Sichuan, China.  
 Zip code: 610207

Specifications are subject to change without notice.  
 ©Blueview™ 2016 – All rights reserved. Made in China.

## Excelent Edge-Lit Bar for Different Depth light box

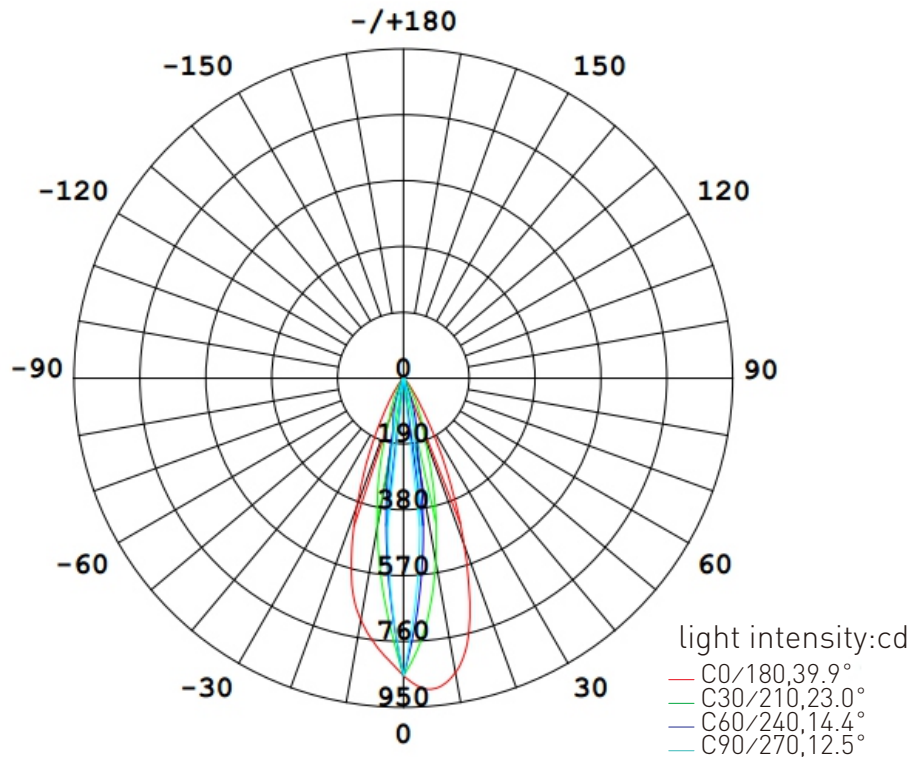


BV-BPS-365-5



BV-BPS-438-6

## Luminous Intensity Distribution Diagram



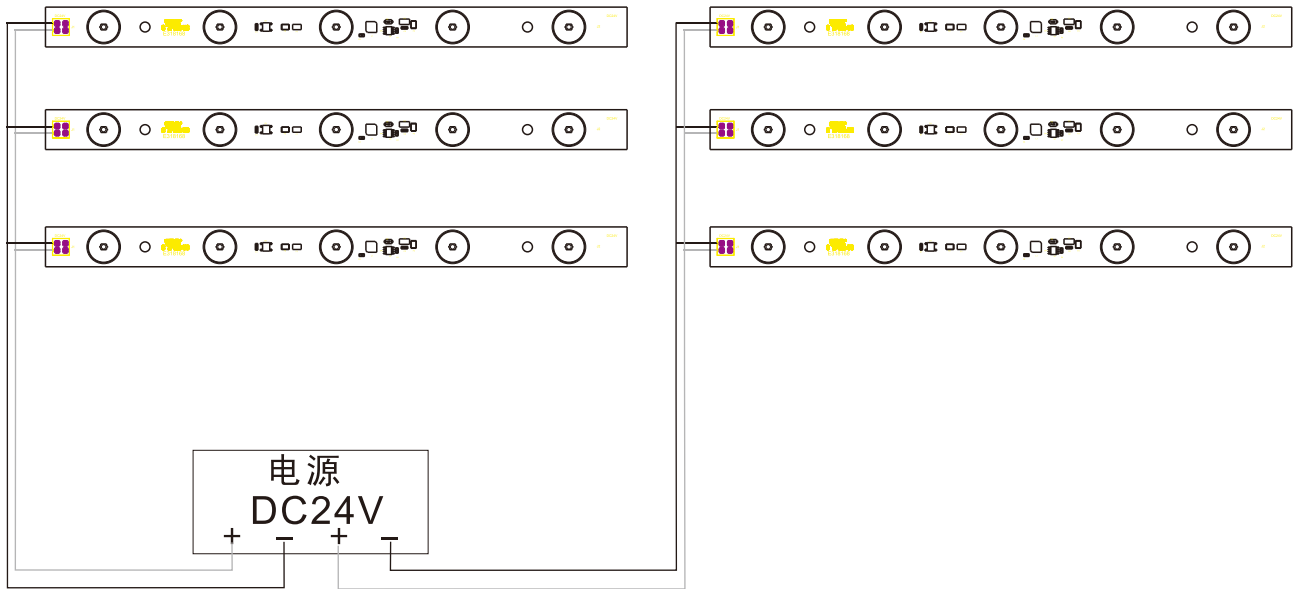
THE AVERAGE BEAM ANGLE(50%):22.5 DEG

### BLUEVIEW ELEC-OPTIC TECH CO.,LTD

Tel: +86-28-8148 0011 Fax: +86-28-8148 1258  
 Mail: sales@blueviewled.com Web.: www.blueviewled.com  
 Add: No.1000, Section 2, 2nd Konggang Road, Southwest  
 Aviation Industrial Development Zone, Chengdu,Sichuan, China.  
 Zip code: 610207

Specifications are subject to change without notice.  
 ©Blueview™ 2016 – All rights reserved. Made in China.

### Installation



Installation scheme for reference

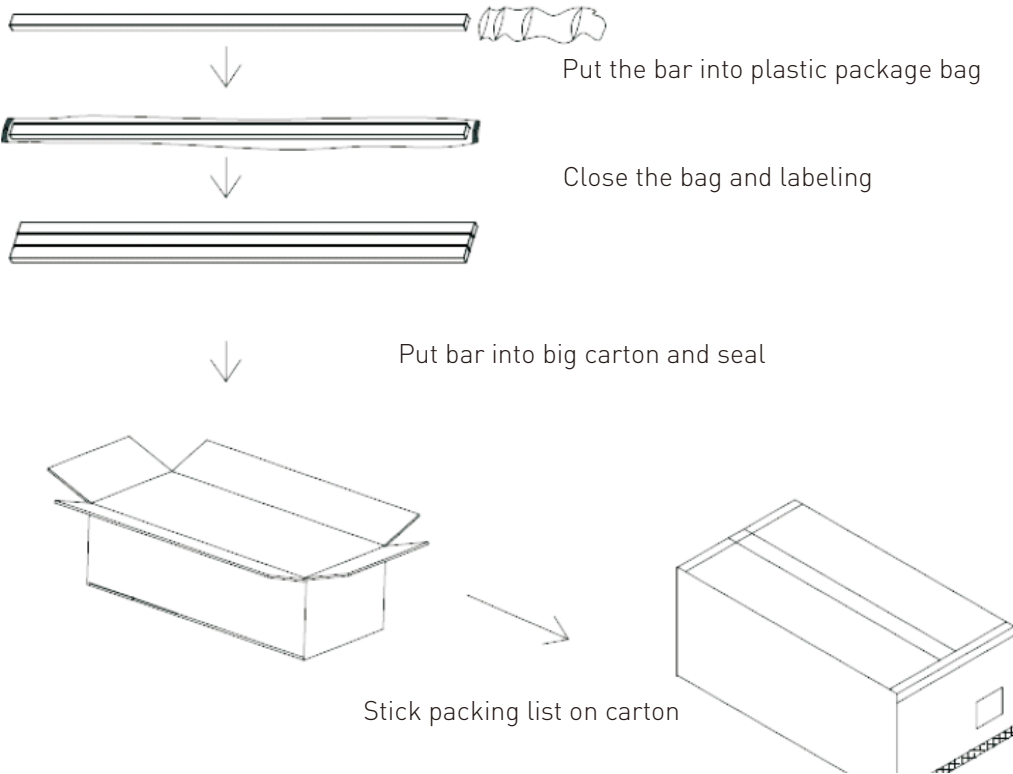
Thickness	Light box width	Qty/m <sup>2</sup>	Illumination
8cm	100cm	4pcs	891-1689lux
10cm	100cm	4pcs	466-842lux
15cm	100cm	4pcs	461-783lux

#### BLUEVIEW ELEC-OPTIC TECH CO.,LTD

Tel: +86-28-8148 0011      Fax: +86-28-8148 1258  
 Mail: sales@blueviewled.com      Web.: www.blueviewled.com  
 Add: No.1000, Section 2, 2nd Konggang Road, Southwest  
 Aviation Industrial Development Zone, Chengdu,Sichuan, China.  
 Zip code: 610207

Specifications are subject to change without notice.  
 © Blueview™ 2016 – All rights reserved. Made in China.

### Package



Part No.	Size	Qty per carton	Net weight (NW/kg)	Gross weight (GW/kg)
BV-BPS-219-3	219*25mm	160pcs	7.52(1±10%)kg	10.28(1±10%)kg
BV-BPS-365-5	365*25mm	160pcs	10.06(1±10%)kg	12.35(1±10%)kg
BV-BPS-438-6	438*25mm	140pcs	10.39(1±10%)kg	12.78(1±10%)kg

#### Notice:

1. Carton size: 550\*400\*340mm
2. One PE bag have one rigid bar
3. Packing quantity and weight is from above packing method. There is 10% tolerance.

#### BLUEVIEW ELEC-OPTIC TECH CO.,LTD

Tel: +86-28-8148 0011      Fax: +86-28-8148 1258  
 Mail: sales@blueviewled.com      Web.: www.blueviewled.com  
 Add: No.1000, Section 2, 2nd Konggang Road, Southwest  
 Aviation Industrial Development Zone, Chengdu, Sichuan, China.  
 Zip code: 610207

Specifications are subject to change without notice.  
 ©Blueview™ 2016 – All rights reserved. Made in China.