



ChipBrand



Lifetime



Certified



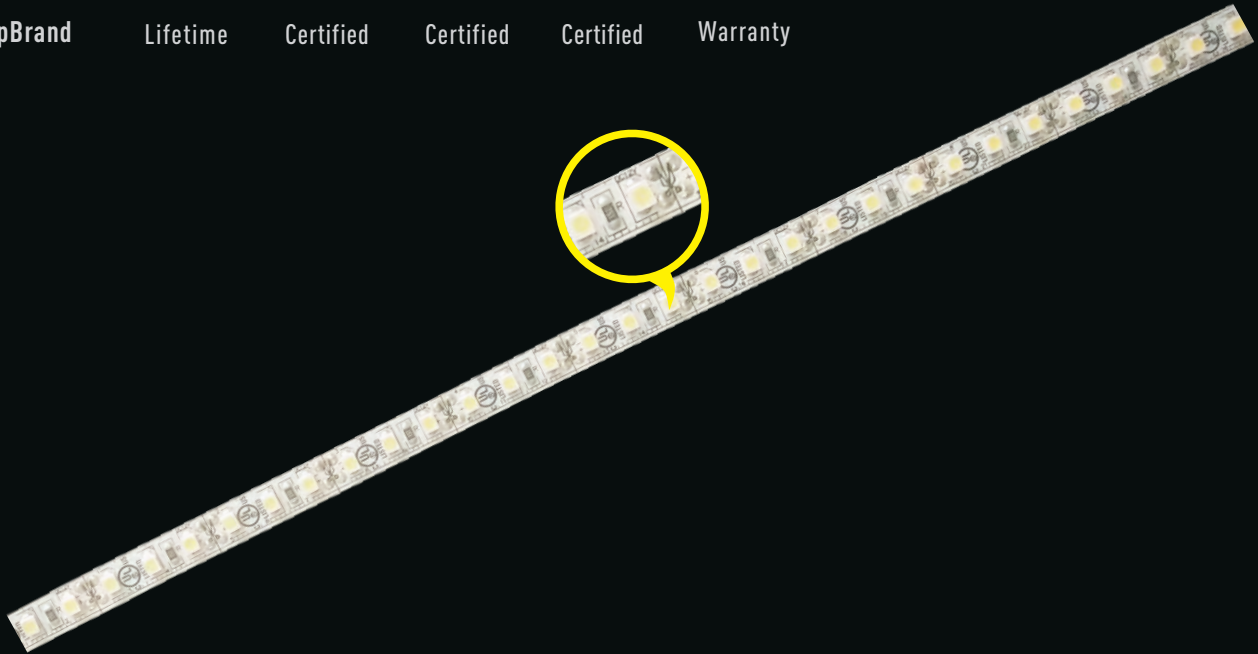
Certified



Certified



Warranty



Ra Available

IP Grade Available



Features

- Indoor (IP22) are available Epistar chips, LM80 tested
- Ra90, with high R9 & R13 value
- Cuttable every 3 LEDs for 12V, 6 LEDs for 24V
- 3M double sided tape for easy installation
- cULus Listed, 5 years warranty


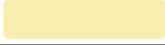

BLUEVIEW ELEC-OPTIC TECH CO.,LTD

Tel: +86-28-8148 0011 Fax: +86-28-8148 1258
 Mail: sales@blueviewled.com Web.: www.blueviewled.com
 Add: No.1000, Section 2, 2nd Konggang Road, Southwest
 Aviation Industrial Development Zone, Chengdu, Sichuan, China.
 Zip code: 610207

Specifications are subject to change without notice.
 © Blueview™ 2016 – All rights reserved. Made in China.

Specifications

LED Type	SMD 3528	Dimmable	Yes (compatible with BV311 RF dimmer & BV Dimmer)
LED Q'ty/m	120pcs	IP grade	IP22
Input Voltage	12V / 24VDC Constant Voltage	Installation	3M™ double sided tape
Power	9.6W	Working Temperature	-25~+60 °C
Cutting length	12V 25mm 3 LEDs 24V 50mm 6 LEDs	Max run	12V 2.5 meters 24V 4.5 meters
Strip Width	8mm	Certification	E354137 cULus Listed, CE, RoHs
Viewing Angle	120°	Warranty	5 years ^①

Order Code	CCT/ Color	CRI	Lumen/M ^②
FN-3528A-120-12-27K	 2645-2800K	90	624
FN-3528A-120-12-30K	 2850-3025K	90	624
FN-3528A-120-12-35K	 3270-3545K	90	672
FN-3528A-120-12-65K	6260-6680K	90	768

Note^①: Contact Blueview for exact warranty period and policy

Note^②: Lumen output are based on CRI80+ measured according to PMS-80, with a tolerance of +/- 5%

Note^③: Standard package: 5m/roll

Order Code

Model	Quality level	LED Q'ty/M	Input voltage	CCT/Color
FN	3528A	120	12	27K
FN-IP22	3528A-5yrs warranty		12-12V DC 24-24V DC	view table above for options

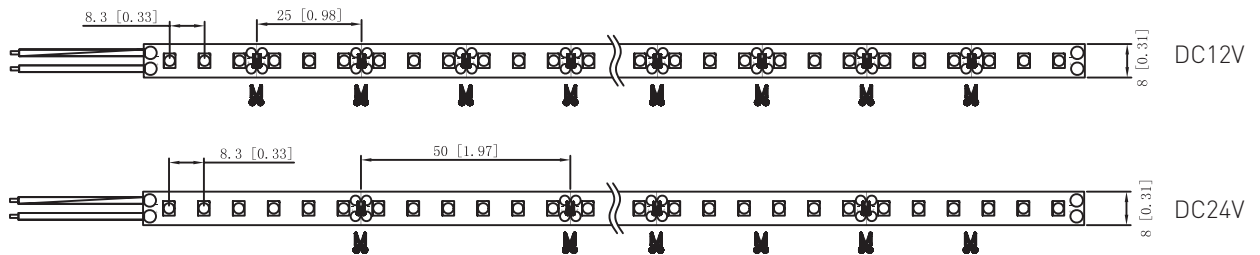
BLUEVIEW ELEC-OPTIC TECH CO.,LTD

Tel: +86-28-8148 0011 Fax: +86-28-8148 1258
 Mail: sales@blueviewled.com Web.: www.blueviewled.com
 Add: No.1000, Section 2, 2nd Konggang Road, Southwest
 Aviation Industrial Development Zone, Chengdu,Sichuan, China.
 Zip code: 610207

Specifications are subject to change without notice.
 ©Blueview™ 2016 – All rights reserved. Made in China.

Dimension

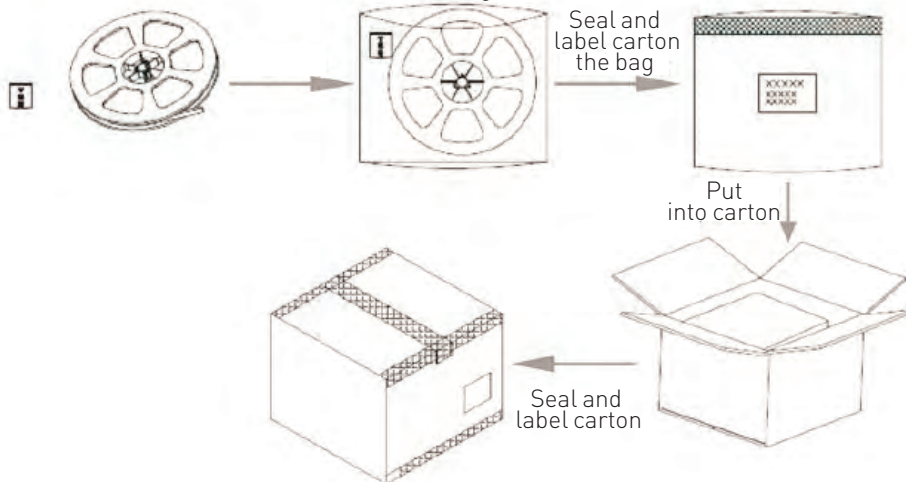
Unit:mm[in]



IP22

Package

Roll strip on reel, then put together
With desiccant into aluminum foil bag



Packing Info

Order Code	Net Weight / CTN	Gross Weight / CTN	Units / CTN	Carton Size
FN-3528A-120	7.76 (1±10%) kgs	13.06 (1±10%) kgs	100 rolls	550*400*340mm

Remark: Data to change according to reality without prior notice.

BLUEVIEW ELEC-OPTIC TECH CO.,LTD

Tel: +86-28-8148 0011 Fax: +86-28-8148 1258
 Mail: sales@blueviewled.com Web.: www.blueviewled.com
 Add: No.1000, Section 2, 2nd Konggang Road, Southwest
 Aviation Industrial Development Zone, Chengdu,Sichuan, China.
 Zip code: 610207

Specifications are subject to change without notice.
 ©Blueview™ 2016 – All rights reserved. Made in China.