



LUZ SERIES

LINEAR LIGHT

LUZ P/M/W is a linear LED lighting fixture that features by various Optic options. It can be built hundreds of options depending on the lighting environment requires based on various optical options.

The 15° / 30° / 45° louver plus the Wall washer louver are satisfying most of the application.

Fixture features 80+, 90+ or 95+ Ra LEDs. White color from 2700K to 6500K.

Dimmable driver available in Dali, 0/1-10V type, also controllable options in DMX, PWM and 2.4G Static, Tunable white, RGBW solution available.

The fixture is designed in multiple installation in Sus-pendant, Wall / Ceiling Mounted, Trim-less or Trimmed Recessed.

Fixture lengths are available in 2ft, 4ft, 5ft and 8ft, and custom lengths are available in 19.6ft.

Finish

Aluminum clear matt anodized
White / Black powder coating
Customized RAL color available

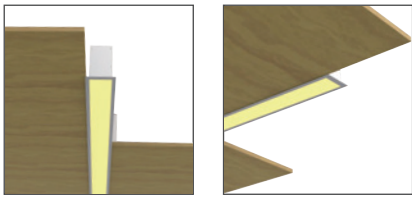
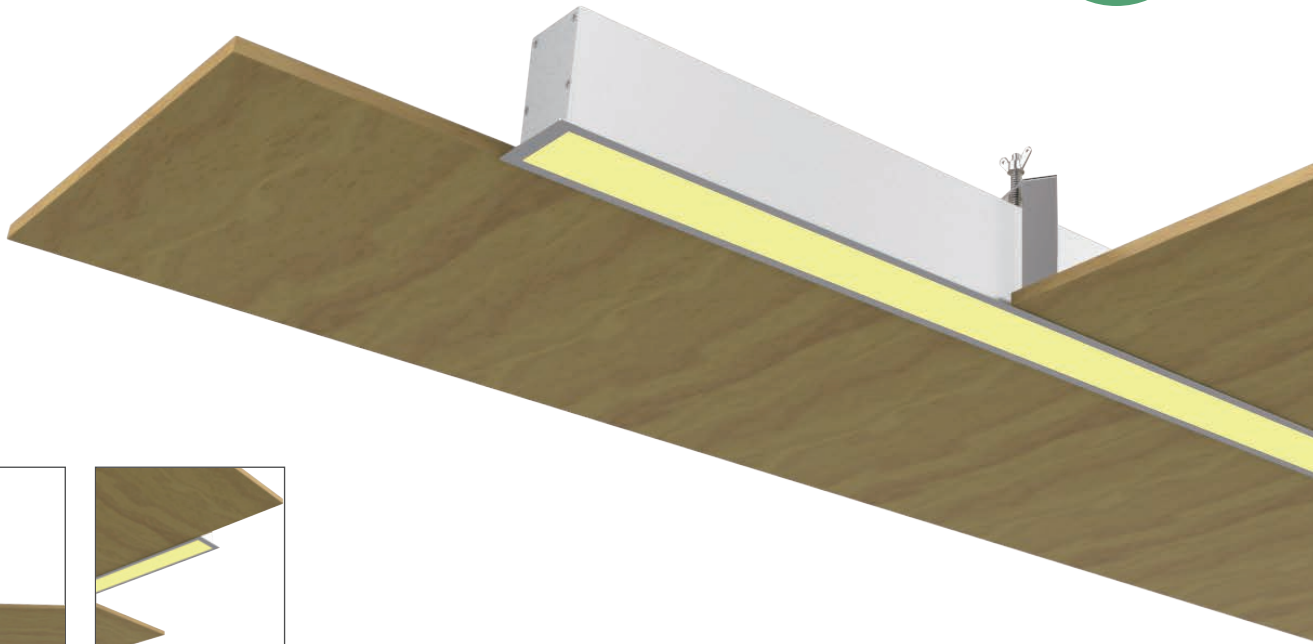
Applications

Indoor - Commercial, Residential, Office, Educational Institutions, Conference Rooms and many other workspace

LUZ SERIES

TRIMED RECESSED LINEAR LIGHT

UGR
< 19



LUZ SERIES

TRIMED RECESSED LINEAR LIGHT

ORDERING INFORMATION

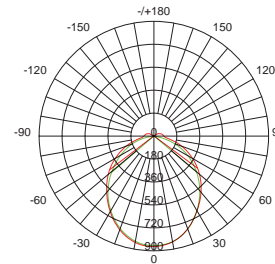
LUMINAIRE	FINISH	LENS	LENGTH	COLOR QUALITY ¹	COLOR TEMP ²	CRI	INSTALL ACCS.	IP GRADE	CONTROL OPTOINS
U668533	W White	U UGR<19 Kit	2 - 622mm	3	27 - 2700K	80	TR Trimed Recessed	22 IP22	D1 - DALI D2 - 0-10V D3 - On/off
	B Black	D Diffuser	4 - 1222mm	3-Step MacAdam Ellipse	30 - 3000K	80+ CRI			
	S Silver			5 - 1522mm	5 5-Step MacAdam Ellips	35 - 3500K	90 90+ CRI		
				8 - 2422mm		40 - 4000K	95 95+ CRI		
					50 - 5000K				
					60 - 6000K				
					65 - 6500K				

1. Blueview's standard is 3-Step MacAdam

2. The listed Color Temperature is only available in CRI80+ in Epistar Chips, for 95+, 90+ in Epistar and Sumsung chips, pls. check the list on following page. For more options, pls. check with your executive sales.

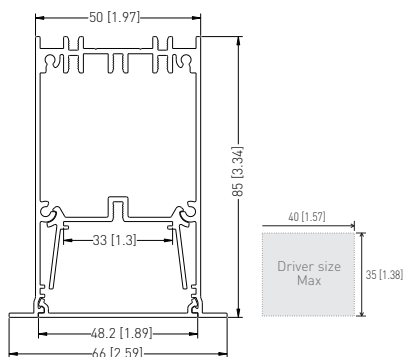
SPECIFICATIONS

Voltage	220V-240 VAC / 110-240VAC			
Width / Height	W66mm x H85mm			
Length	622mm	1222mm	1522mm	2422mm
Power (W/m /ft)	15.6 W/pc	31.1 W/pc	37.8 W/pc	62 W/pc
Efficacy Up to	85lm/w	90lm/w	90lm/w	90lm/w
Control	Dali , 0-10V, on/off			



Down Lighting

DIMENSIONS

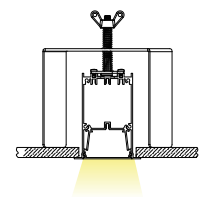


Unit:mm[in]

ACCESSORIES & INSTALLATION



Recessed Bracket



Trimmed Recessed

SPECIFICATIONS

	Color Temperature	Lumen / Length			
RA 80	2700K	1204lm / 0.6m	2400lm / 1.2m	2917lm / 1.5m	4784lm / 2.4m
	3000K	1267lm / 0.6m	2526lm / 1.2m	3070lm / 1.5m	5036lm / 2.4m
	3500K	1334lm / 0.6m	2659lm / 1.2m	3232lm / 1.5m	5301lm / 2.4m
	4000K	1404lm / 0.6m	2799lm / 1.2m	3402lm / 1.5m	5580lm / 2.4m
	5000K	1404lm / 0.6m	2799lm / 1.2m	3402lm / 1.5m	5580lm / 2.4m
	6000K	1404lm / 0.6m	2799lm / 1.2m	3402lm / 1.5m	5580lm / 2.4m
	6500K	1404lm / 0.6m	2799lm / 1.2m	3402lm / 1.5m	5580lm / 2.4m
RA 90	2700K	963lm / 0.6m	1920lm / 1.2m	2333lm / 1.5m	3827lm / 2.4m
	3000K	1014lm / 0.6m	2021lm / 1.2m	2456lm / 1.5m	4029lm / 2.4m
	3500K	1067lm / 0.6m	2127lm / 1.2m	2586lm / 1.5m	4241lm / 2.4m
	4000K	1123lm / 0.6m	2239lm / 1.2m	2722lm / 1.5m	4464lm / 2.4m
	5000K	1123lm / 0.6m	2239lm / 1.2m	2722lm / 1.5m	4464lm / 2.4m
	5500K	1123lm / 0.6m	2239lm / 1.2m	2722lm / 1.5m	4464lm / 2.4m
	6500K	1123lm / 0.6m	2239lm / 1.2m	2722lm / 1.5m	4464lm / 2.4m
RA 95	2700K	867lm / 0.6m	1728lm / 1.2m	2100lm / 1.5m	3445lm / 2.4m
	3000K	912lm / 0.6m	1819lm / 1.2m	2211lm / 1.5m	3626lm / 2.4m
	3500K	960lm / 0.6m	1915lm / 1.2m	2327lm / 1.5m	3817lm / 2.4m
	4000K	1010lm / 0.6m	2015lm / 1.2m	2449lm / 1.5m	4017lm / 2.4m
	6500K	1010lm / 0.6m	2015lm / 1.2m	2449lm / 1.5m	4017lm / 2.4m
SAMSUNG RA 80	3000K	1200lm / 0.6m	2393lm / 1.2m	2909lm / 1.5m	4771lm / 2.4m
	4000K	1263lm / 0.6m	2519lm / 1.2m	3061lm / 1.5m	5022lm / 2.4m
	6500K	1263lm / 0.6m	2519lm / 1.2m	3061lm / 1.5m	5022lm / 2.4m

Note:

- The given data are typical values in PC Diffuser. Due to tolerances of the production process and the electrical components, values for light output and electrical power can vary up to 10%.
- 15% less on luminous flux at Traic driver, DALI and 0/1-10V driver, and -10% Non-Dim driver.
- 10% less on UGR<19 version.
- Above data based on Non-Dimmable for all luminaires.
- More customized LED and CCT available.
- LM-80, IES TM-30-15 testing report available for led.

LED CHIPS AND DRIVER OPTIONS

