



# LUZ SERIES

## LINEAR LIGHT

LUZ P/M/W is a linear LED lighting fixture that features by various Optic options. It can be built hundreds of options depending on the lighting environment requires based on various optical options.

The 15° / 30° / 45° louver plus the Wall washer louver are satisfying most of the application.

Fixture features 80+, 90+ or 95+ Ra LEDs. White color from 2700K to 6500K.

Dimmable driver available in Dali, 0/1-10V type, also controllable options in DMX, PWM and 2.4G Static, Tunable white, RGBW solution available.

The fixture is designed in multiple installation in Sus-pendant, Wall / Ceiling Mounted, Trim-less or Trimmed Recessed.

Fixture lengths are available in 2ft, 4ft, 5ft and 8ft, and custom lengths are available in 19.6ft.

### Finish

Aluminum clear matt anodized  
White / Black powder coating  
Customized RAL color available

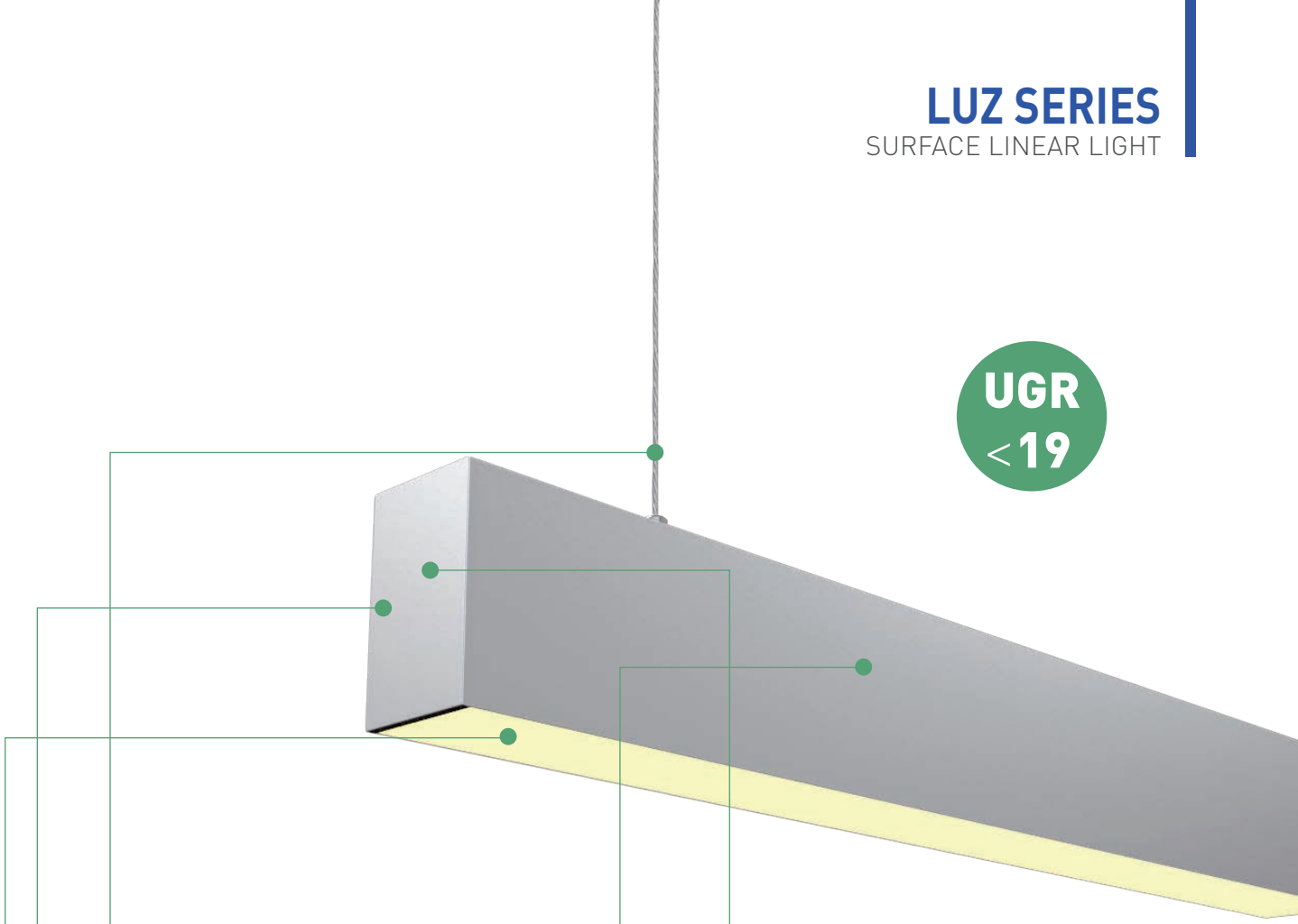
### Applications

Indoor - Commercial, Residential, Office, Educational Institutions, Conference Rooms and many other workspace

# LUZ SERIES

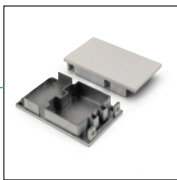
SURFACE LINEAR LIGHT

UGR  
<19



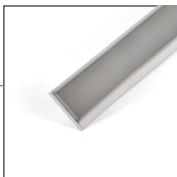
### Multiple Installation

- Sus-pendant
- Wall Mounted
- Ceiling Mounted



### Die-casting Endcaps

Anti-light leaking design



### Optical options

- Various Beam angle Lens
- Anti-Glare Film, UGR<19
- Rolling PC Lens up to **25m/pc**



### Sensor Optional

- Microwave Sensor
- IR Sensor
- Timer



### Gapfree & in filed

Easy operation Joiner



### 6063 Aluminum

Silver / Black clear matt anodize  
White/Black matt powder coating  
Customized RAL color available

# LUZ SERIES

SURFACE LINEAR LIGHT

## ORDERING INFORMATION

LUMINAIRE	FINISH	LENS	LENGTH	COLOR QUALITY <sup>1</sup>	COLOR TEMP <sup>2</sup>	CRI	INSTALL ACCS.	IP GRADE	CONTROL OPTOINS
U508533	W White	U UGR<19 Kit	2 - 608mm	3	27 - 2700K	80	P Aircraft cable pendant	22 IP22	D1 - DALI D2 - 0-10V D3 - On/off
	B Black	D Diffuser	4 - 1208mm	3-Step MacAdam Ellipse	30 - 3000K	80+ CRI	W Wall Mounted		
	S Silver		5 - 1508mm	5	35 - 3500K	90	M Ceiling Mounted		
			8 - 2408mm	5-Step MacAdam Ellips	40 - 4000K	90+ CRI			
					50 - 5000K	95			
					60 - 6000K	95+ CRI			
					65 - 6500K				

1. Blueview's standard is 3-Step MacAdam

2. The listed Color Temperature is only available in CRI80+ in Epistar Chips, for 95+, 90+ in Epistar and Sumsung chips, pls. check the list on following page. For more options, pls. check with your executive sales.

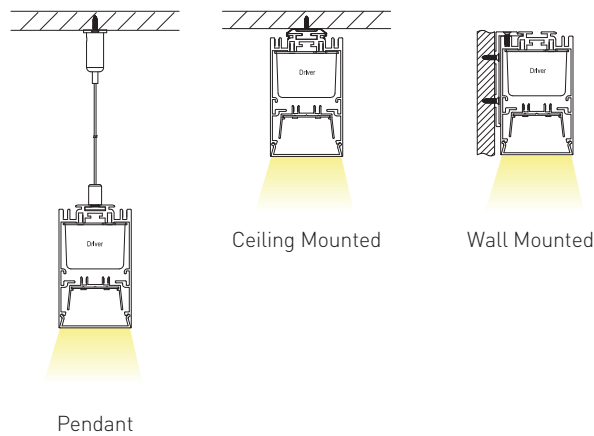
## SPECIFICATIONS

Voltage	220V-240VAC / 100V-240 VAC			
Width / Height	W50mm x H85mm			
Length	608mm	1208mm	1508mm	2408mm
Power (W/m /ft)	15.6 W/pc	31.1 W/pc	37.8 W/pc	62 W/pc
Efficacy Up to	85lm/w	90lm/w	90lm/w	90lm/w
Control	Dali , 0-10V, on/off			

## LED CHIPS AND DRIVER OPTIONS



## INSTALLATION



## ACCESSORIES



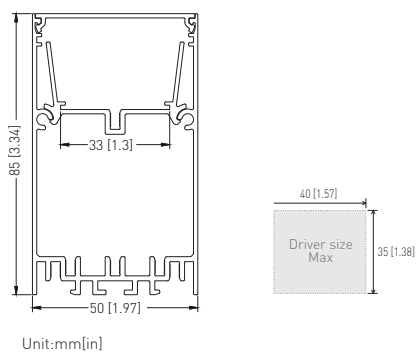
## SPECIFICATIONS

	Color Temperature	Lumen / Length			
RA 80	2700K	1204lm / 0.6m	2400lm / 1.2m	2917lm / 1.5m	4784lm / 2.4m
	3000K	1267lm / 0.6m	2526lm / 1.2m	3070lm / 1.5m	5036lm / 2.4m
	3500K	1334lm / 0.6m	2659lm / 1.2m	3232lm / 1.5m	5301lm / 2.4m
	4000K	1404lm / 0.6m	2799lm / 1.2m	3402lm / 1.5m	5580lm / 2.4m
	5000K	1404lm / 0.6m	2799lm / 1.2m	3402lm / 1.5m	5580lm / 2.4m
	6000K	1404lm / 0.6m	2799lm / 1.2m	3402lm / 1.5m	5580lm / 2.4m
	6500K	1404lm / 0.6m	2799lm / 1.2m	3402lm / 1.5m	5580lm / 2.4m
RA 90	2700K	963lm / 0.6m	1920lm / 1.2m	2333lm / 1.5m	3827lm / 2.4m
	3000K	1014lm / 0.6m	2021lm / 1.2m	2456lm / 1.5m	4029lm / 2.4m
	3500K	1067lm / 0.6m	2127lm / 1.2m	2586lm / 1.5m	4241lm / 2.4m
	4000K	1123lm / 0.6m	2239lm / 1.2m	2722lm / 1.5m	4464lm / 2.4m
	5000K	1123lm / 0.6m	2239lm / 1.2m	2722lm / 1.5m	4464lm / 2.4m
	5500K	1123lm / 0.6m	2239lm / 1.2m	2722lm / 1.5m	4464lm / 2.4m
	6500K	1123lm / 0.6m	2239lm / 1.2m	2722lm / 1.5m	4464lm / 2.4m
RA 95	2700K	867lm / 0.6m	1728lm / 1.2m	2100lm / 1.5m	3445lm / 2.4m
	3000K	912lm / 0.6m	1819lm / 1.2m	2211lm / 1.5m	3626lm / 2.4m
	3500K	960lm / 0.6m	1915lm / 1.2m	2327lm / 1.5m	3817lm / 2.4m
	4000K	1010lm / 0.6m	2015lm / 1.2m	2449lm / 1.5m	4017lm / 2.4m
	6500K	1010lm / 0.6m	2015lm / 1.2m	2449lm / 1.5m	4017lm / 2.4m
SAMSUNG RA 80	3000K	1200lm / 0.6m	2393lm / 1.2m	2909lm / 1.5m	4771lm / 2.4m
	4000K	1263lm / 0.6m	2519lm / 1.2m	3061lm / 1.5m	5022lm / 2.4m
	6500K	1263lm / 0.6m	2519lm / 1.2m	3061lm / 1.5m	5022lm / 2.4m

**Note:**

- The given data are typical values in PC Diffuser. Due to tolerances of the production process and the electrical components, values for light output and electrical power can vary up to 10%.
- 15% less on luminous flux at Traic driver, DALI and 0/1-10V driver, and -10% Non-Dim driver.
- 10% less on UGR<19 version.
- Above data based on Non-Dimmable for all luminaires.
- More customized LED and CCT available.
- LM-80, IES TM-30-15 testing report available for led.

## DIMENSIONS



## BEAM ANGLE

