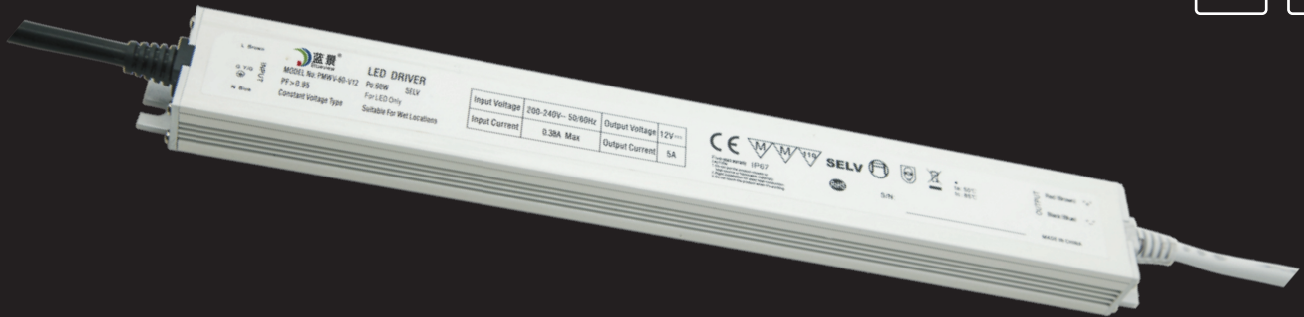


SLIM POWER SUPPLY PMW SERIES(200-240V AC)



INPUT
AC
200~240V

Features

- 1. Ultra-thin design with only 20mm thickness, suitable for use in light box
- 2. Power efficiency up to 90%
- 3. Power factor PF>0.95
- 4. IP67 perfect for indoor and outdoor use
- 5. Simple and beautiful appearance

Installation

Fix by screws

BLUEVIEW ELEC-OPTIC TECH CO.,LTD
Tel: +86-28-8148 0011 Fax: +86-28-8148 1258
Mail: sales@blueviewled.com Web.: www.blueviewled.com
Add: No.1000, Section 2, 2nd Konggang Road, Southwest
Aviation Industrial Development Zone, Chengdu,Sichuan, China.
Zip code: 610207

Specifications are subject to change without notice.
Blueview™ 2018– All rights reserved. Made in China.



Specification

Model No.		PMW30-V12K <input type="checkbox"/>	PMW45-V12 <input type="checkbox"/>	PMW60-V12 <input type="checkbox"/>	PMW75-V12 <input type="checkbox"/>	PMW100-V12 <input type="checkbox"/>	PMW150-V12 <input type="checkbox"/>	
Output	Rated DC voltage	12V	12V	12V	12V	12V	12V	
	Rated DC current	2.5A	3.75A	5A	6.25A	8.3A	12.5A	
	Voltage range	11.5-12.5V	11.5-12.5V	11.5-12.5V	11.5-12.5V	11.5-12.5V	11.5-12.5V	
	Rated output power	30W	45W	60W	75W	100W	150W	
	Rated ripple&noise	≤300mVp-p	≤300mVp-p	≤600mVp-p	≤600mVp-p	≤600mVp-p	≤600mVp-p	
Input	Voltage range	200VAC-240VAC						
	Frequency range	50-60HZ						
	Input current	≤0.22A	≤0.3A	≤0.38A	≤0.6A	≤0.7A	≤0.83A	
	Surge current (cold start)	46A @230VAC						
	Power efficiency	≥90%						
	PF	≥0.95						
Protection	Overcurrent protection	<input checked="" type="checkbox"/> YES <input type="checkbox"/> NO	<input checked="" type="checkbox"/> YES <input type="checkbox"/> NO	<input checked="" type="checkbox"/> YES <input type="checkbox"/> NO	<input checked="" type="checkbox"/> YES <input type="checkbox"/> NO	<input checked="" type="checkbox"/> YES <input type="checkbox"/> NO	<input checked="" type="checkbox"/> YES <input type="checkbox"/> NO	
	Short-circuit protection	<input checked="" type="checkbox"/> YES <input type="checkbox"/> NO	<input checked="" type="checkbox"/> YES <input type="checkbox"/> NO	<input checked="" type="checkbox"/> YES <input type="checkbox"/> NO	<input checked="" type="checkbox"/> YES <input type="checkbox"/> NO	<input checked="" type="checkbox"/> YES <input type="checkbox"/> NO	<input checked="" type="checkbox"/> YES <input type="checkbox"/> NO	
	Overvoltage protection	<input checked="" type="checkbox"/> YES <input type="checkbox"/> NO	<input checked="" type="checkbox"/> YES <input type="checkbox"/> NO	<input checked="" type="checkbox"/> YES <input type="checkbox"/> NO	<input checked="" type="checkbox"/> YES <input type="checkbox"/> NO	<input checked="" type="checkbox"/> YES <input type="checkbox"/> NO	<input checked="" type="checkbox"/> YES <input type="checkbox"/> NO	
	Over temperature protection	<input type="checkbox"/> YES <input checked="" type="checkbox"/> NO	<input type="checkbox"/> YES <input checked="" type="checkbox"/> NO	<input type="checkbox"/> YES <input checked="" type="checkbox"/> NO	<input type="checkbox"/> YES <input checked="" type="checkbox"/> NO	<input type="checkbox"/> YES <input checked="" type="checkbox"/> NO	<input type="checkbox"/> YES <input checked="" type="checkbox"/> NO	
Environment	Working temperature	Tcase=-25~+50°C						
	Working humidity	10%~95%RH						
	Storage temperature, humidity	-35°C ~+65°C , 10%~95%RH						
	IP grade	IP67						
	Vibration characteristics	10~500HZ , 1.0mm , 15minutes (for X、Y、Z each axis)						
Safety&EMC	Safety standard	Design referenceUL/cUL、FCC、CB、CE、TUV Mark、3C、RCM、IP67、RoHS						
	Dielectric strength	I/P-O/P	3.75KVAC/ 10mA/ 3S					
		I/P-Case	1.5KVAC/ 10mA/ 3S					
	Insulation resistance	100MΩ / 500VDC/ 3S						
	Grounding resistance	≤0.5Ω						
	EMC	Design reference FCC Class 15B En55015En55015						
Other parameters	Mean time between failures/MTBF	50Khrs. MIL-HDBK-217F(25°C)						
	Product size L*W*H	239*35*20mm	239*35*20mm	295*35*20mm	295*35*20mm	309*35*23mm	309*35*23mm	
	Weight(Net weight)	0.32 kg	0.32 kg	0.42 kg	0.42 kg	0.44 kg	0.51 kg	

NOTE:

Test environment temperature : 25±2°C.

Testing method for ripple and noise: The terminal should be connected in parallel with 47UF electrolytic capacitor and 0.1UF ceramic capacitor, measured at 200M bandwidth.

BLUEVIEW ELEC-OPTIC TECH CO.,LTD

Tel: +86-28-8148 0011 Fax: +86-28-8148 1258
 Mail: sales@blueviewled.com Web.: www.blueviewled.com
 Add: No.1000, Section 2, 2nd Konggang Road, Southwest
 Aviation Industrial Development Zone, Chengdu,Sichuan, China.
 Zip code: 610207

Specifications are subject to change without notice.
 Blueview™ 2018– All rights reserved. Made in China.

SLIM POWER SUPPLY PMW SERIES(200-240V AC)



Model No.		PMW30-V24 <input type="checkbox"/>	PMW45-V24 <input type="checkbox"/>	PMW60-V24 <input type="checkbox"/>	PMW75-V24 <input type="checkbox"/>	PMW100-V24 <input type="checkbox"/>	PMW150-V24 <input type="checkbox"/>	
Output	Rated DC voltage	24V	24V	24V	24V	24V	24V	
	Rated DC current	1.25A	1.87A	2.5A	3.12A	4.16A	6.25A	
	Voltage range	23.5-24.5V	23.5-24.5V	23.5-24.5V	23.5-24.5V	23.5-24.5V	23.5-24.5V	
	Rated output power	30W	45W	60W	75W	100W	150W	
	Rated ripple&noise	≤300mVp-p	≤300mVp-p	≤600mVp-p	≤600mVp-p	≤600mVp-p	≤600mVp-p	
Input	Voltage range	200VAC-240VAC						
	Frequency range	50-60HZ						
	Input current	≤0.22A	≤0.3A	≤0.38A	≤0.6A	≤0.7A	≤0.83A	
	Surge current (cold start)	46A @230VAC						
	Power efficiency	≥90%						
	PF	≥0.95						
Protection	Overcurrent protection	<input checked="" type="checkbox"/> YES <input type="checkbox"/> NO	<input checked="" type="checkbox"/> YES <input type="checkbox"/> NO	<input checked="" type="checkbox"/> YES <input type="checkbox"/> NO	<input checked="" type="checkbox"/> YES <input type="checkbox"/> NO	<input checked="" type="checkbox"/> YES <input type="checkbox"/> NO	<input checked="" type="checkbox"/> YES <input type="checkbox"/> NO	
	Short-circuit protection	<input checked="" type="checkbox"/> YES <input type="checkbox"/> NO	<input checked="" type="checkbox"/> YES <input type="checkbox"/> NO	<input checked="" type="checkbox"/> YES <input type="checkbox"/> NO	<input checked="" type="checkbox"/> YES <input type="checkbox"/> NO	<input checked="" type="checkbox"/> YES <input type="checkbox"/> NO	<input checked="" type="checkbox"/> YES <input type="checkbox"/> NO	
	Overvoltage protection	<input checked="" type="checkbox"/> YES <input type="checkbox"/> NO	<input checked="" type="checkbox"/> YES <input type="checkbox"/> NO	<input checked="" type="checkbox"/> YES <input type="checkbox"/> NO	<input checked="" type="checkbox"/> YES <input type="checkbox"/> NO	<input checked="" type="checkbox"/> YES <input type="checkbox"/> NO	<input checked="" type="checkbox"/> YES <input type="checkbox"/> NO	
	Over temperature protection	<input type="checkbox"/> YES <input checked="" type="checkbox"/> NO	<input type="checkbox"/> YES <input checked="" type="checkbox"/> NO	<input type="checkbox"/> YES <input checked="" type="checkbox"/> NO	<input type="checkbox"/> YES <input checked="" type="checkbox"/> NO	<input type="checkbox"/> YES <input checked="" type="checkbox"/> NO	<input type="checkbox"/> YES <input checked="" type="checkbox"/> NO	
Environment	Working temperature	Tcase=-25~+50°C						
	Working humidity	10%~95%RH						
	Storage temperature, humidity	-35°C ~+65°C , 10%~95%RH						
	IP grade	IP67						
	Vibration characteristics	10~500HZ , 1.0mm , 15minutes (for X、Y、Z each axis)						
Safety&EMC	Safety standard	Design referenceUL/cUL、FCC、CB、CE、TUV Mark、3C、RCM、IP67、RoHS						
	Dielectric strength	I/P-O/P	3.75KVAC/ 10mA/ 3S					
		I/P-Case	1.5KVAC/ 10mA/ 3S					
	Insulation resistance	100MΩ / 500VDC/ 3S						
	Grounding resistance	≤0.5Ω						
	EMC	Design reference FCC Class 15B En55015En55015						
Other parameters	Mean time between failures/MTBF	50Khrs. MIL-HDBK-217F(25°C)						
	Product size L*W*H	239*35*20mm	239*35*20mm	295*35*20mm	295*35*20mm	309*35*23mm	309*35*23mm	
	Weight(Net weight)	0.32 kg	0.32 kg	0.42 kg	0.42 kg	0.44kg	0.51 kg	

NOTE:

Test environment temperature : 25±2°C.

Testing method for ripple and noise: The terminal should be connected in parallel with 47UF electrolytic capacitor and 0.1UF ceramic capacitor, measured at 200M bandwidth.

BLUEVIEW ELEC-OPTIC TECH CO.,LTD

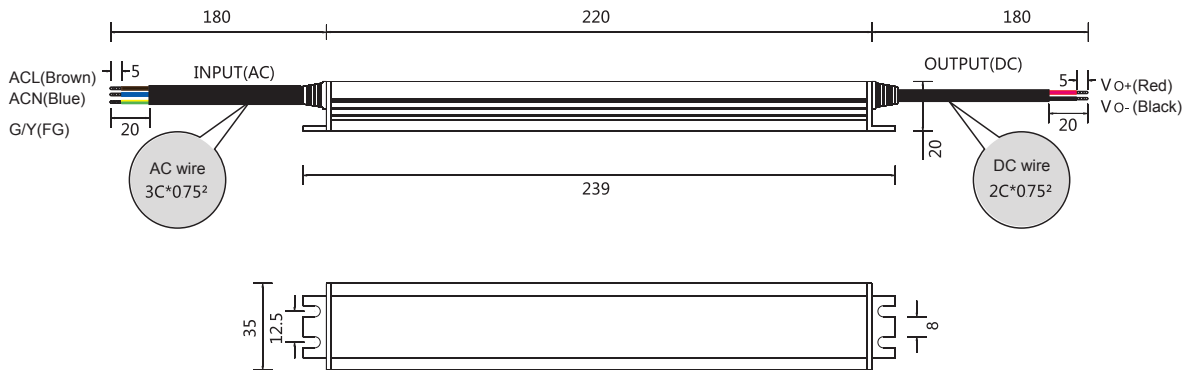
Tel: +86-28-8148 0011 Fax: +86-28-8148 1258
 Mail: sales@blueviewled.com Web.: www.blueviewled.com
 Add: No.1000, Section 2, 2nd Konggang Road, Southwest
 Aviation Industrial Development Zone, Chengdu,Sichuan, China.
 Zip code: 610207

Specifications are subject to change without notice.
 Blueview™ 2018– All rights reserved. Made in China.

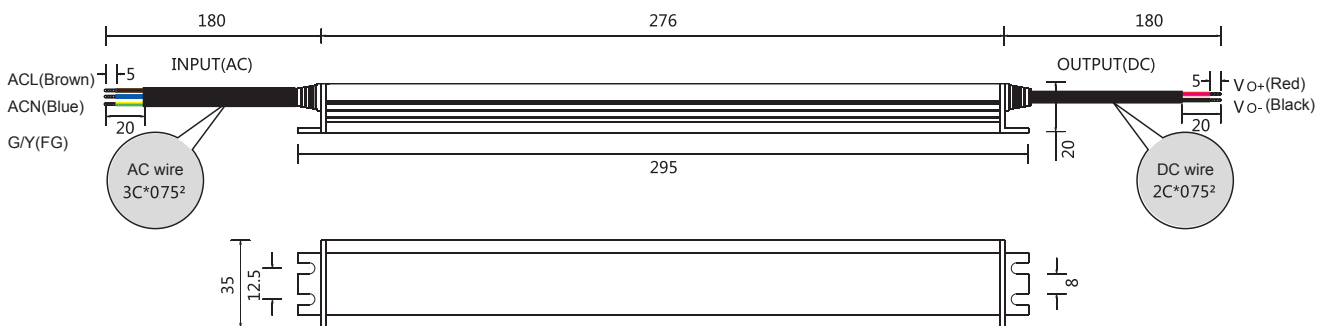
Profile Drawing

Unit:mm

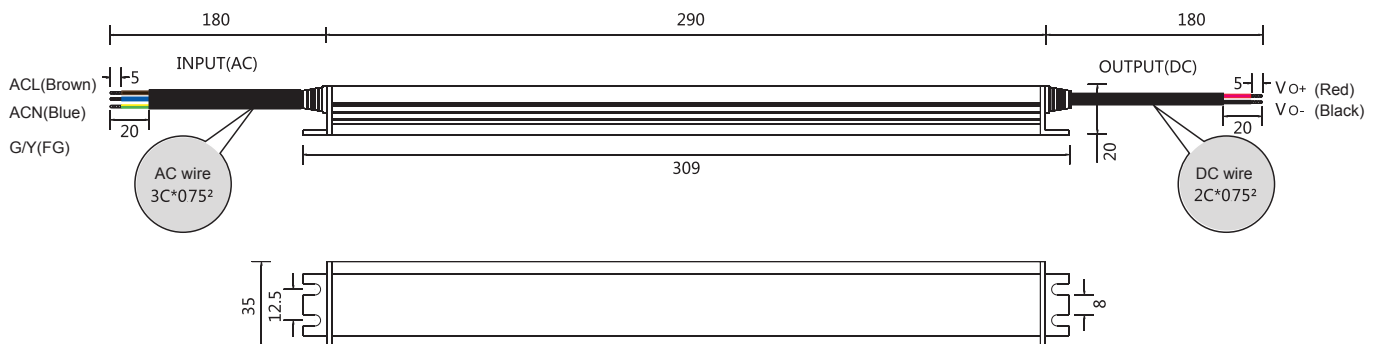
1. Model No. : PMW30-V12 ; PMW30-V24 ; PMW45-V12 ; PMW45-V24



2. Model No. : PMW60-V12 ; PMW60-V24 ; PMW75-V12 ; PMW75-V24

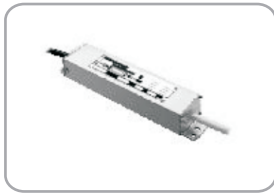


3. Model No. : PMW100-V12 ; PMW100-V24 ; PMW150-V12 ; PMW150-V24

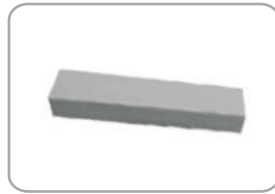




Packaging



① Product



② Inner packing box



③ Carton box

Packaging Information

Model No.	Product Size L*W*H(mm)	Shipping Dimension (mm)	Packing Quantity	Net Weight(kg)	Gross Weight(kg)
PMW30-V12/24	239*35*20	350*320*205	60	19.2(1±10%)	20.9(1±10%)
PMW45-V12/24	239*35*20	350*320*205	60	19.2(1±10%)	20.9(1±10%)
PMW60-V12/24	295*35*20	350*320*205	50	21.0(1±10%)	21.5(1±10%)
PMW75-V12/24	295*35*20	350*320*205	50	21.0(1±10%)	21.5(1±10%)
PMW100-V12/24	309*35*20	350*320*205	50	22.0(1±10%)	22.5(1±10%)
PMW150-V12/24	309*35*20	350*320*205	50	25.5(1±10%)	26.0(1±10%)

Note:

One product for one inner packing box and 10 products per layer in one carton box.
The above quantity and weight are only for the illustrated packaging method. There will be differences in the quantity and weight with other packaging methods.



Attentions

Please install the power supply in a well-ventilated place to ensure the suitable ambient temperature.

Do not do live-line working for high voltage product.

Try not to install in the lightning-prone area and high-voltage area.

Make sure the power cord is firmly connected to the terminal as it cannot be pulled out by hand.

When multiple power supplies are connected in parallel to the same point, do not exceed the load capacity of the power cable.

Arrange the insulation, waterproof, and anti-corrosion treatments during installation.

For metal case power supply, the input ground wire must be reliably connected to the ground, not floating or connected to the neutral line.

If the product fails, it must be repaired by professionals, or contact the supplier for repair and maintenance.

Make sure the input voltage meets the requirements and lines are connected correctly before power on.

Use 18AWG (0.75mm²) or thicker core wire to avoid adverse consequences caused by overheating, if the power cable need to lengthen.

Do not touch the surface of the metal casing to avoid high temperature burns during the usage.

Installation, maintenance and repair must be operated by professionals.

Statements and Recycling

Statements:

Repair should be operated by a qualified technician, if the external circuit or main line of this product is damaged.

The parameters given in this manual are typical values and for reference only.

All illustrations and drawings in this manual are for reference.

This product is subject to change without notice.

Recycling:

LED lighting products belongs to electronic products, please do recycling treatment according to the relevant WEEE directives.

BLUEVIEW ELEC-OPTIC TECH CO.,LTD

Tel: +86-28-8148 0011

Fax: +86-28-8148 1258

Mail: sales@blueviewled.com

Web.: www.blueviewled.com

Add: No.1000, Section 2, 2nd Konggang Road, Southwest
Aviation Industrial Development Zone, Chengdu, Sichuan, China.

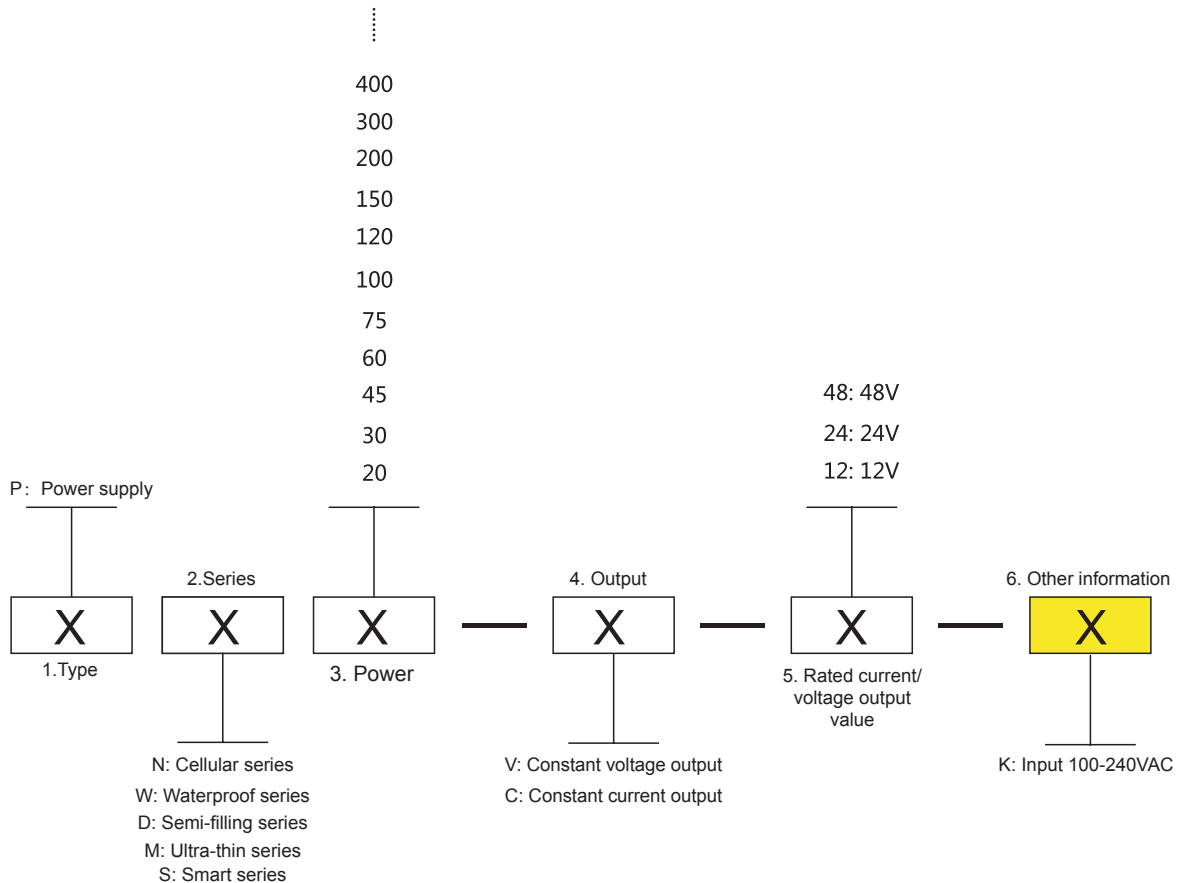
Zip code: 610207

Specifications are subject to change without notice.

Blueview™ 2018– All rights reserved. Made in China.



Attachment: Model description



Example 1: PMW45-V12

Read: Ultra-thin waterproof power supply, power 45W, constant voltage, 12V output, input voltage 200-240VAC.

Example 2: PMW100-V24K

Read: Ultra-thin waterproof power supply, power 100W, constant voltage, 24V output, wide voltage input, input voltage 100-240VAC.

BLUEVIEW ELEC-OPTIC TECH CO.,LTD

Tel: +86-28-8148 0011 Fax: +86-28-8148 1258
 Mail: sales@blueviewled.com Web.: www.blueviewled.com
 Add: No.1000, Section 2, 2nd Konggang Road, Southwest
 Aviation Industrial Development Zone, Chengdu,Sichuan, China.
 Zip code: 610207

Specifications are subject to change without notice.
 Blueview™ 2018– All rights reserved. Made in China.