



LED FLEX PANEL

# S100P

## S100 SQUARE LIGHT

S100 Square light is built by Alu. extrusion fixture with PMMA lens. Equiped Osram SMD LEDs in Warm White or Neutral White, with MeanWell Drivers for Non-Dim option. Uninterrupted lines of light for maximum uniformity and aesthetics. The light sourced are Osram LED in 80+ or 90+ Ra available. Color temperature options from 2700K to 6500K.

### Finish

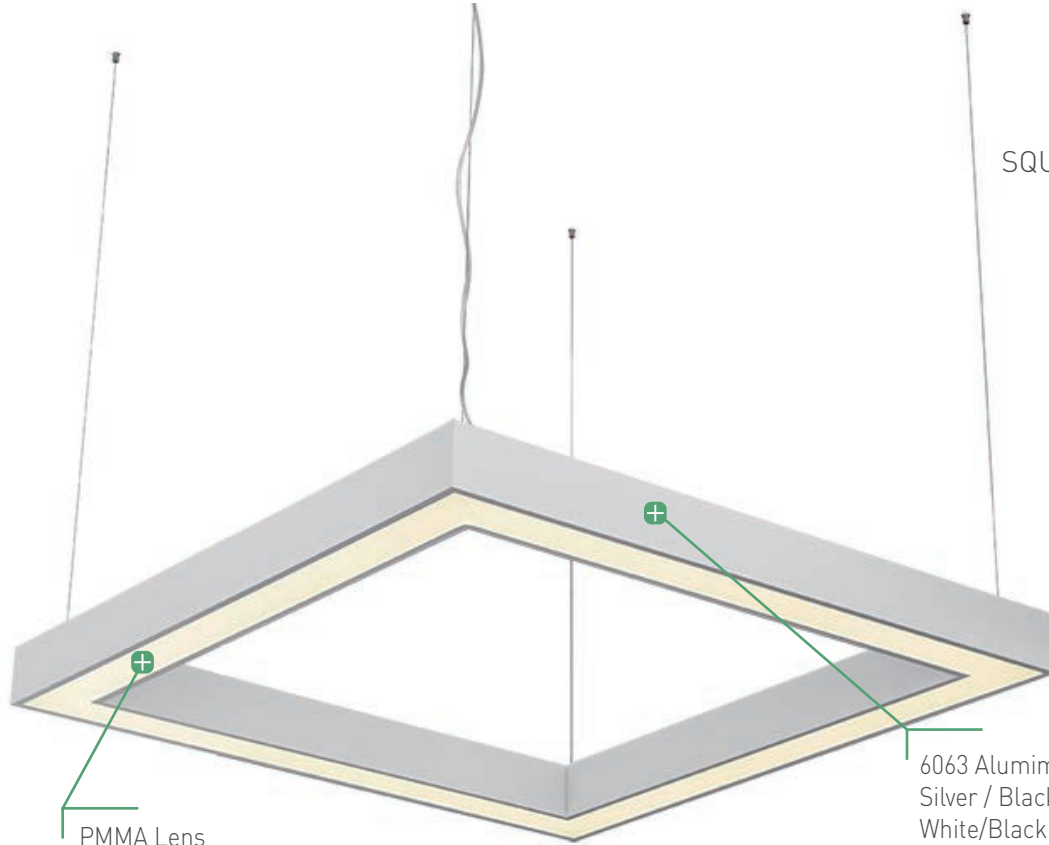
Aluminum clear matt anodized  
White / Black powder coating  
Customized RAL color available

### Applications

Indoor - Resting Zone, Reception, etc.

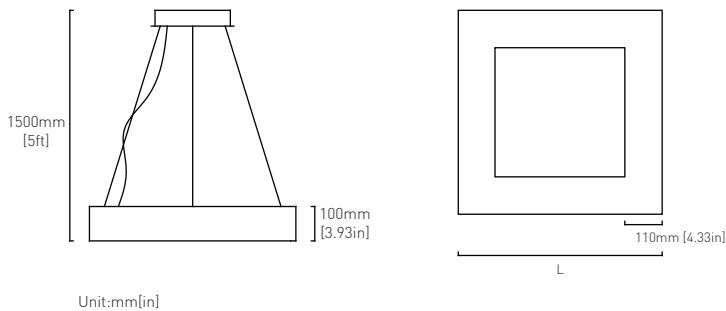
# S100P

## SQUARE LIGHT



PMMA Lens  
One piece laser cut

6063 Aluminum  
Silver / Black clear matt anodize  
White/Black matt powder coating  
Customized RAL color available



	2700K	3500K	4000K	Setable White Available 1800K+6500K
Input Vol.	90-265 VAC	90-265 VAC	90-265 VAC	90-265 VAC
Power/pc	72W	142W	142W	142W
Lumen/pc [Light W driver]	4032 lm	7812 lm	7812 lm	7812 lm
Dimming	0-10V/ DALI / Non-Dim	0-10V/ DALI / Non-Dim	0-10V/ DALI / Non-Dim	0-10V/ DALI / Non-Dim
Lens	PMMA 1pc	PMMA 2pcs	PMMA 2pcs	PMMA 2pcs
Dimension (D x W x H)	850 x 850 x 100mm	1200 x 1200 x 100mm	1200 x 1200 x 100mm	1200 x 1200 x 100mm

**Note:** The given data are typical values. Due to tolerances of the production process and the electrical components, values for light output and electrical power can vary up to 10%.  
-15% luminous flux at DALI and 0/1-10V driver, and -10% Non-Dim driver.