



SLIM SEREIS

SLIM SERIES PENDANT LINEAR LIGHT

Slim Series P/M is a linear LED lighting fixture with internal drivers that features by various Optic options. It can be built hundreds of options depending on the lighting environment requires based on various optical options. The 15° / 30° / 45° / 50° / 50x50° / 35x75° louver or TRI lens plus the Wall washer louver are satisfying most of the application.

Fixture features 80+ or 95+ Ra LEDs. White color from 2700K to 6500K.

Dimmable driver available in Dali, 0/1-10V type, also controllable options in DMX, PWM and 2.4G Static, Tunable white, RGBW solution available.

The fixture is designed in multiple installation in Sus-pendant, Ceiling Mounted.

Fixture lengths are available in 2ft,4ft,5ft and 8ft, and custom lengths are available in 19.6ft.

Finish

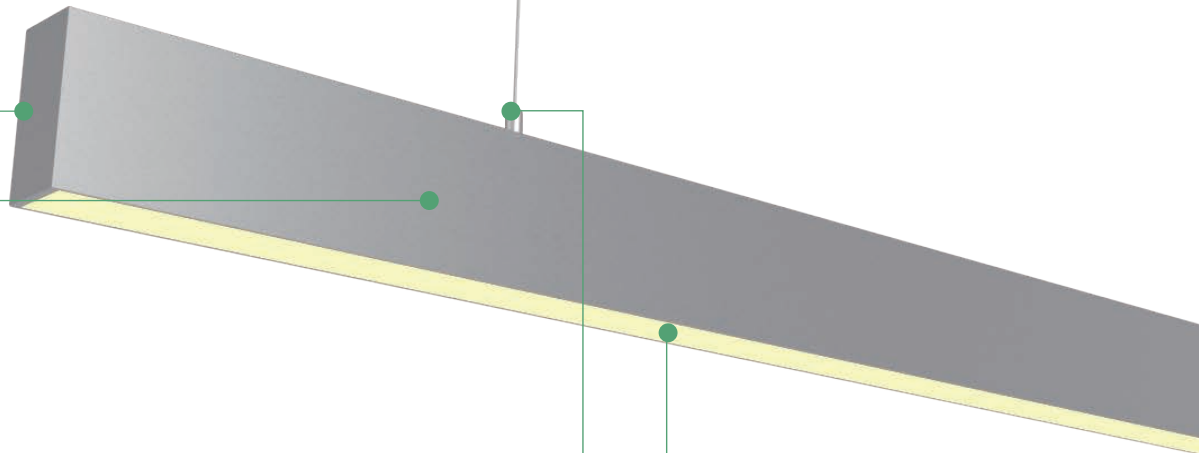
Aluminum clear matt anodized
White / Black powder coating
Customized RAL color available

Applications

Indoor - Office, Educational Institutions, Conference Rooms and many other workspaces.

SLIM SERIES

SURFACE PC DIFFUSER LINEAR LIGHT



Die-casting Endcaps
Anti-light leaking design



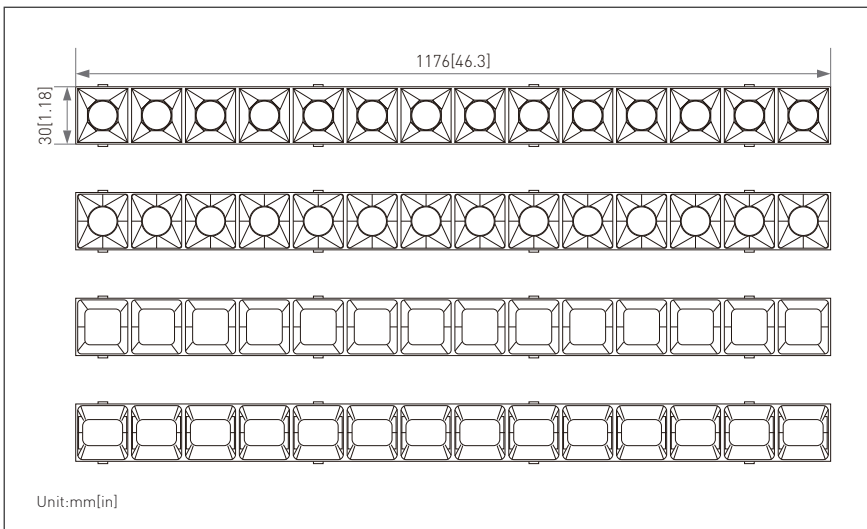
6063 Aluminum
Silver / Black clear matt anodize
White/Black matt powder coating
Customized RAL color available



Sensor Optional
Microwave Sensor
IR Sensor
Timer



Multiple Installation
▪ Sus-pendant
▪ Ceiling Mounted



Various Optical Options

- TRI Lens in 50°, 50x50°, 35x75°
- Square, Round, Diamond Reflector
- 5in1 Reflector in 15°, 30°, 45°
- Wall Washer
- PC Diffuser

SLIM SERIES

SURFACE PC DIFFUSER LINEAR LIGHT

ORDERING INFORMATION

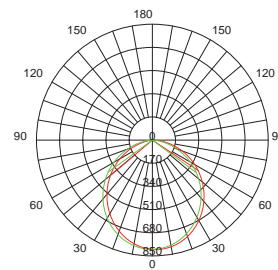
LUMINAIRE	FINISH	LENS	LENGTH	COLOR QUALITY ¹	COLOR TEMP ²	CRI	INSTALL ACCS.	IP GRADE	CONTROL OPTOINS
U357228	W White	D Diffuser	2 - 608mm	3	27 - 2700K	80	P Aircraft cable pendant	22 IP22	D1 - DALI D2 - 0-10V D3 - On/off
	B Black		4 - 1208mm	3-Step MacAdam Ellipse	30 - 3000K	90			
	S Silver		5 - 1508mm	5 5-Step MacAdam Ellips	35 - 3500K	90+ CRI			
			8 - 2408mm		40 - 4000K	95			
					50 - 5000K	95+ CRI			
					60 - 6000K				
					65 - 6500K				

1. Blueview's standard is 3-Step MacAdam

2. The listed Color Temperature is only available in CRI80+ in Epistar Chips, for 95+, 90+ in Epistar and Sumsung chips, pls. check the list on following page. For more options, pls. check with your executive sales.

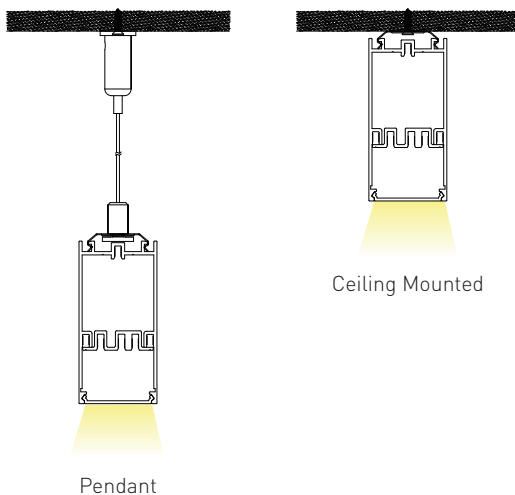
SPECIFICATIONS

Voltage	220V-240 VAC / 110-240VAC			
Width / Height	W35mm x H72mm			
Length	608mm	1208mm	1508mm	2408mm
Power (W/m /ft)	11.5 W/pc	23 W/pc	27 W/pc	46.5 W/pc
Efficacy Up to	85lm/w	90lm/w	90lm/w	90lm/w
Control	Dali , 0-10V, on/off			



Down Lighting

INSTALLATION



ACCESSORIES



Aircraft Cable Pendant Kit

Ceiling Mounted Kit

SPECIFICATIONS

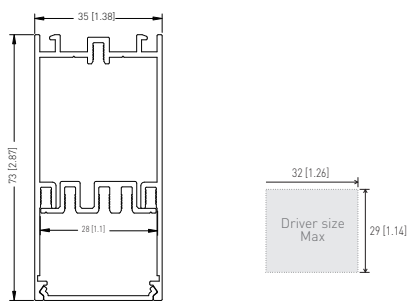
	Color Temperature	Lumen / Length			
RA 80	2700K	887lm / 0.6m	1775lm / 1.2m	2083lm / 1.5m	3588lm / 2.4m
	3000K	934lm / 0.6m	1868lm / 1.2m	2193lm / 1.5m	3777lm / 2.4m
	3500K	983lm / 0.6m	1967lm / 1.2m	2309lm / 1.5m	3976lm / 2.4m
	4000K	1035lm / 0.6m	2070lm / 1.2m	2430lm / 1.5m	4185lm / 2.4m
	5000K	1035lm / 0.6m	2070lm / 1.2m	2430lm / 1.5m	4185lm / 2.4m
	6000K	1035lm / 0.6m	2070lm / 1.2m	2430lm / 1.5m	4185lm / 2.4m
	6500K	1035lm / 0.6m	2070lm / 1.2m	2430lm / 1.5m	4185lm / 2.4m
RA 90	2700K	710lm / 0.6m	1420lm / 1.2m	1667lm / 1.5m	2870lm / 2.4m
	3000K	747lm / 0.6m	1495lm / 1.2m	1754lm / 1.5m	3022lm / 2.4m
	3500K	787lm / 0.6m	1573lm / 1.2m	1847lm / 1.5m	3180lm / 2.4m
	4000K	828lm / 0.6m	1656lm / 1.2m	1944lm / 1.5m	3348lm / 2.4m
	5000K	828lm / 0.6m	1656lm / 1.2m	1944lm / 1.5m	3348lm / 2.4m
	5500K	828lm / 0.6m	1656lm / 1.2m	1944lm / 1.5m	3348lm / 2.4m
	6500K	828lm / 0.6m	1656lm / 1.2m	1944lm / 1.5m	3348lm / 2.4m
RA 95	2700K	639lm / 0.6m	1277lm / 1.2m	1500lm / 1.5m	2583lm / 2.4m
	3000K	673lm / 0.6m	1345lm / 1.2m	1579lm / 1.5m	2719lm / 2.4m
	3500K	708lm / 0.6m	1416lm / 1.2m	1662lm / 1.5m	2863lm / 2.4m
	4000K	745lm / 0.6m	1490lm / 1.2m	1749lm / 1.5m	3013lm / 2.4m
	6500K	745lm / 0.6m	1490lm / 1.2m	1749lm / 1.5m	3013lm / 2.4m
SAMSUNG RA 80	3000K	841lm / 0.6m	1681lm / 1.2m	1974lm / 1.5m	3340lm / 2.4m
	4000K	932lm / 0.6m	1863lm / 1.2m	2187lm / 1.5m	3767lm / 2.4m
	6500K	932lm / 0.6m	1863lm / 1.2m	2187lm / 1.5m	3767lm / 2.4m

Note:

- The given data are typical values in PC Diffuser. Due to tolerances of the production process and the electrical components, values for light output and electrical power can vary up to 10%.
- 15% less on luminous flux at Traic driver, DALI and 0/1-10V driver, and -10% Non-Dim driver.
- Above data based on Non-Dimmable for all luminaires.
- More customized LED and CCT available.
- LM-80, IES TM-30-15 testing report available for led.

DIMENSIONS

LED CHIPS AND DRIVER OPTIONS



Unit:mm[in]

