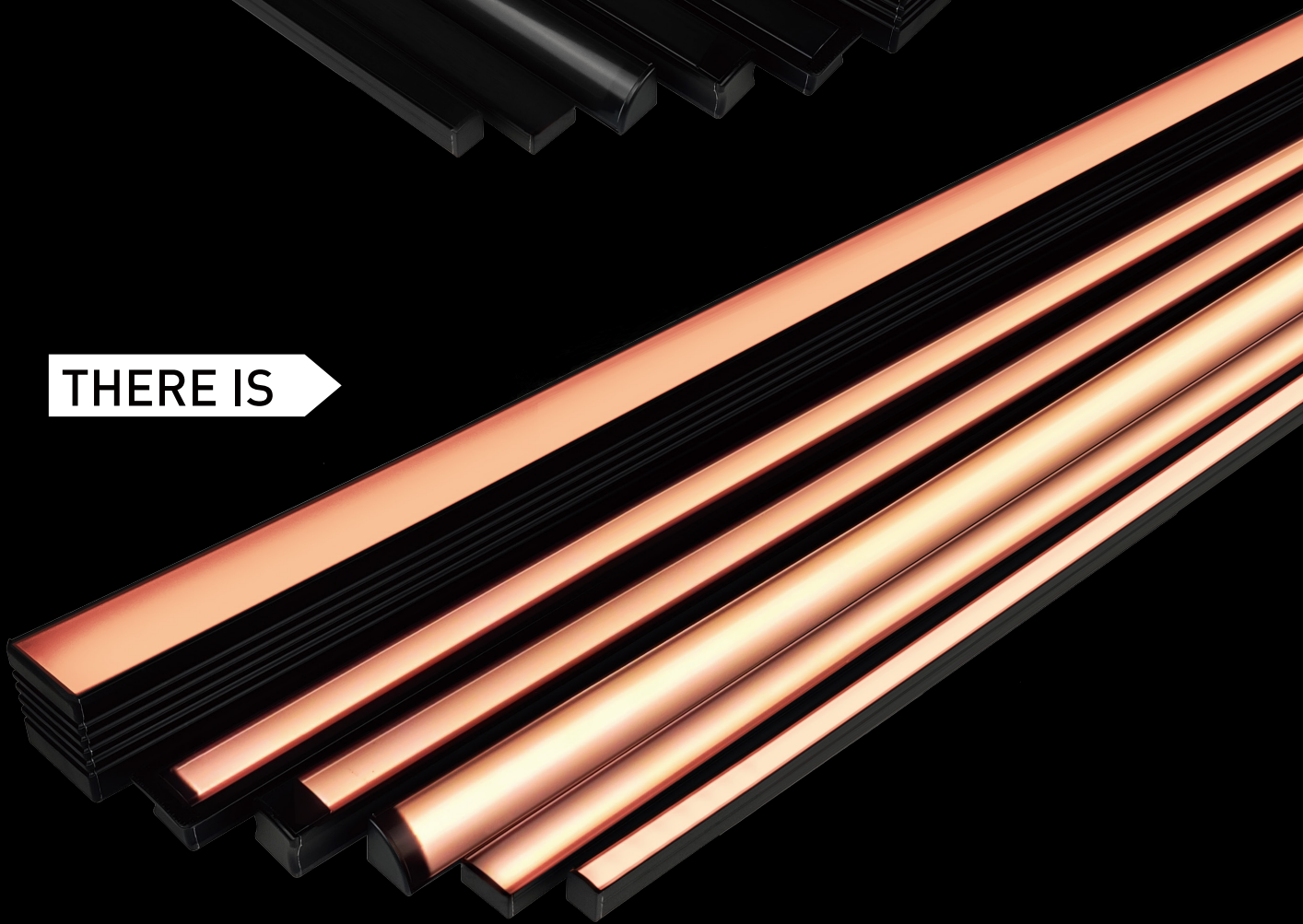


THERE IS NOT

THERE IS

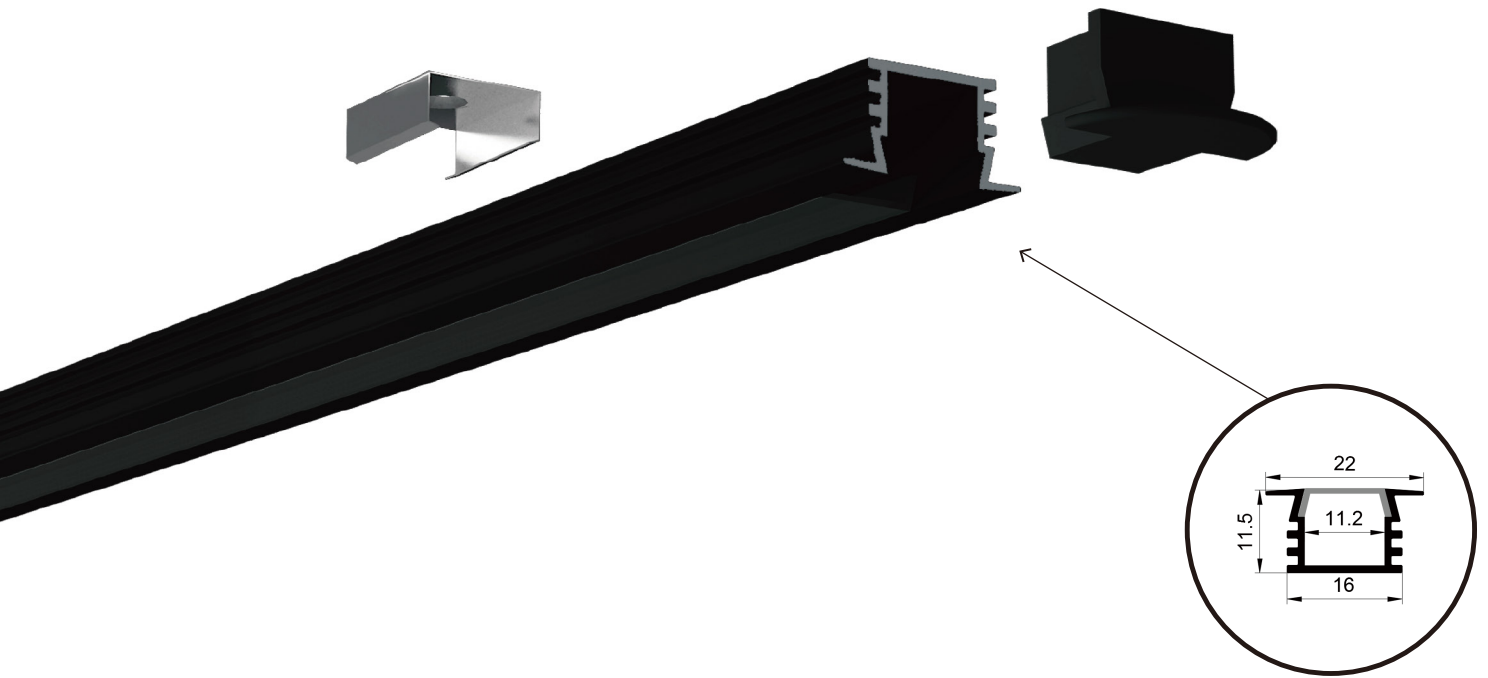


SPARKLE LINEAR LIGHT

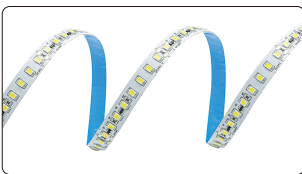
Black lens in Trimless, Trimmed Recessed, Surface, Pendant solutions over 40 models.
More fit for architecture aesthetics.

SL-B221211

TRIMED RECESSED



RECOMMEND FLEXIBLE LIGHT SOURCE



4000K 5000K 6000K

Model No.		LED QTY	Input Vol.	Power	CRI	Light Source Lumen	Black Lens Lumen	Cuttible length	Max Run
FN-2835-120	Standard	120pcs/m	12/24VDC	9.6W/m	80+/90+	1300lm/m	195lm/m	12V=25mm, 24V=50mm	12V=3m, 24V=6m
	High Efficiency	128pcs/m	24VDC	11.5W/m	80+	1698lm/m	255lm/m	62.5mm	5m
	Short Cut	120pcs/m	24VDC	21.6W/m	80+/90+	1922lm/m	288lm/m	16.7mm	3.5m
FN-2835-60	Standard	60pcs/m	12/24VDC	14.4W/m	80+/90+	1050lm/m	158lm/m	12V=50mm, 24V=100mm	12V=4.5m, 24V=8m
	High Efficiency	64pcs/m	24VDC	7.68W/m	80+	1065lm/m	160lm/m	125	5m
	Long Run	60pcs/m	24VDC	2.4W/m	80+/90+	211lm/m	32lm/m	100mm	50m
	Short Cut	60pcs/m	24VDC	14.4W/m	80+/90+	1239lm/m	186lm/m	33.3mm	5.5m