

# 400W Smart Wireless Power Supply Dual Color Temperature Bluetooth Dimming Power Supply

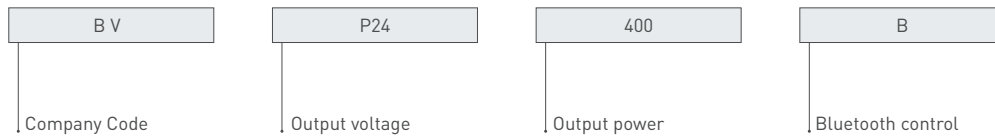


## BV-P24400-B

### FEATURES

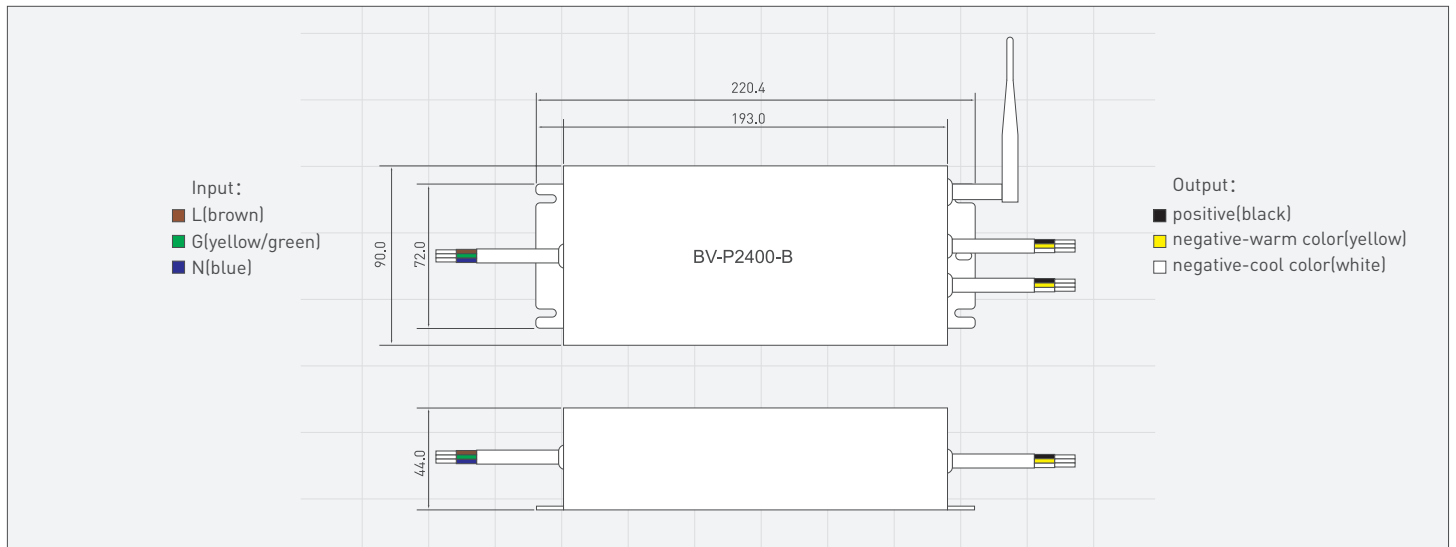
- Communicate with the gateway in Bluetooth mode, support web, APP, TmallGenie control, wireless smart dimming, and support dual-color temperature lamps.
- The mobile APP supports IOS and Android.
- Constant voltage power supply, output voltage 24V, maximum load power 400W.
- Protection type: short circuit / overload / over voltage / over temperature.
- Support sending mobile phone SMS alarm after the power output is short circuited, power reporting statistics, and timing dimming.
- Support wireless sensor remote control, can cooperate with temperature sensor, light sensor, tilt sensor and other wireless control.
- Can be matched with touch screen control, batch adjustment of multiple power supplies.

### ORDERING CODE



### PROFILE DRAWING

unit:mm



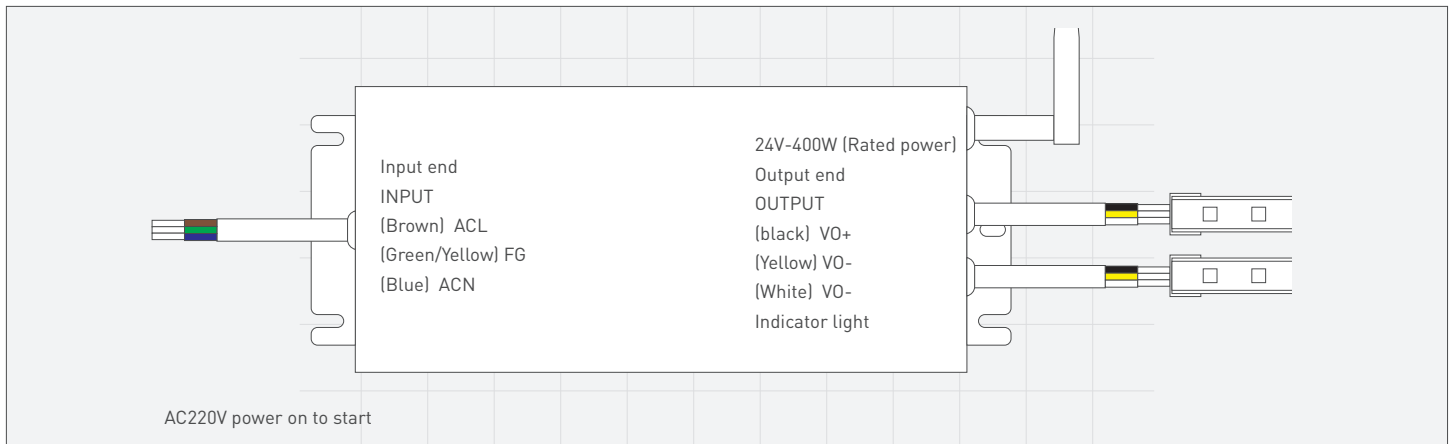
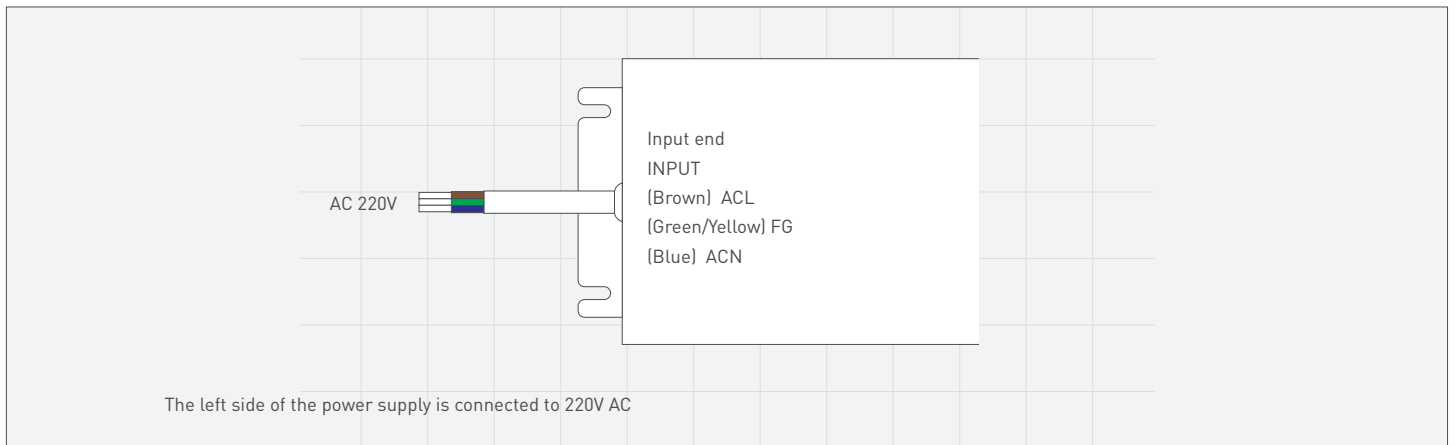
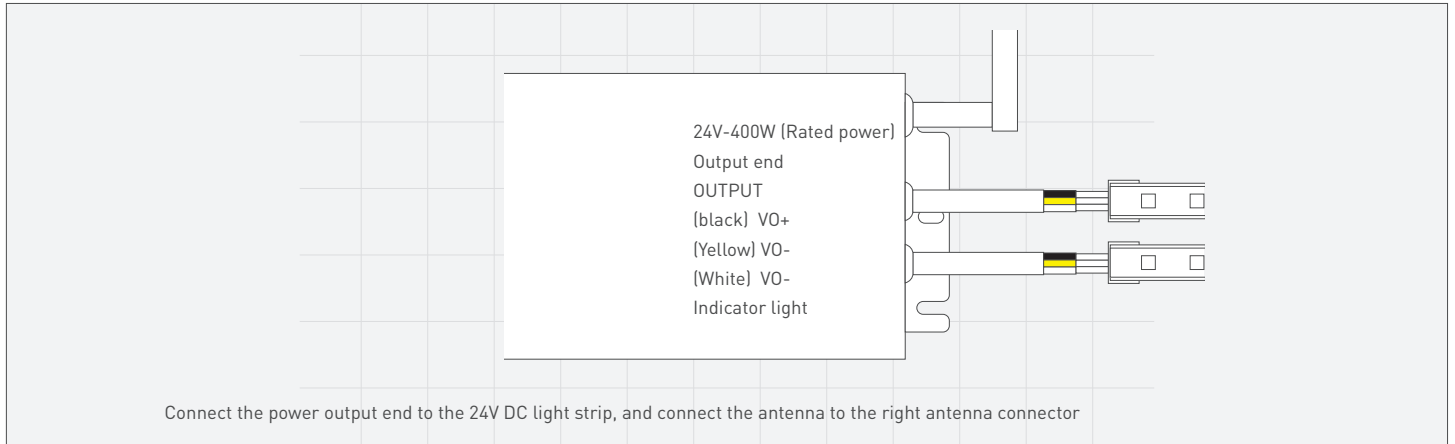
## PRODUCT FUNCTION

- Remote dimming;
- Timing switch / dimming (carry out the plan);
- One key batch operation;
- Voice control;
- Expansion: automatic dimming with sensor and scene switching with touch screen

## SPECIFICATION

|                  |  |   |
|------------------|--|---|
| Output           | DC Voltage   | 24V   |
|                  | Current  | 16.6A   |
|                  | Rated power  | 400W  |
|                  | Ripple and Noise   | 150mVp-p  |
|                  | Voltage adjustment range   | 22.8~25.2V  |
|                  | Voltage tolerance  | ±1.0%   |
|                  | Line regulation  | ±0.5%   |
|                  | Load regulation  | ±1.0%   |
|                  | Set up time  | 500ms,30ms/230VAC 500ms,30ms/115VAC (full load)   |
|                  | Holding time   | 12ms/230VAC 12ms/115VAC (full load)   |
| Input            | Voltage range  | 80 ~ 264VAC 113 ~ 370VDC  |
|                  | Frequency range  | 47 ~ 63Hz   |
|                  | Power factor   | PF>0.88/230VAC PF>0.88/115VAC (full load)   |
|                  | Efficiency(Typ.)   | 88%   |
|                  | AC current(Typ.)   | 3.6A/115VAC 2A/230VAC   |
|                  | Inrush current(Typ.)   | cool start:30A/115VAC 60A/230VAC  |
| Leakage current  |  | <0.75mA / 240VAC  |
|                  | Over load  | 100~110% of the rated output power  |
|                  |  | Protection mode: hiccup mode, automatic recovery after the abnormal load condition is removed   |
| Over voltage     | 26.4 ~ 31.2V   |   |
|                  | Protection mode: turn off the output, the normal output can be restored after the power is restarted |   |
| Over temperature | Protection mode: turn off the output, the normal output can be restored after the power is restarted |   |
| Environment      | Working temperature  | -30~+70°C   |
|                  | Working humidity   | 20 ~ 90%RH, non-condensing  |
|                  | Storage temp. and humidity   | -40 ~ +85°C, 10 ~ 95% RH  |
|                  | Temp. coefficient  | ±0.03%/°C (0~50°C)  |
|                  | Vibration  | 10-500Hz, 2G 10min./cycle, period for 60min. each along X, Y, Z axes  |
| Safe and EMC     | Safety standards   | The power supply has passed the test of UL62368-1, TUV EN62368-1, IEC62368-1, EAC TP TC 004   |
|                  | Withstand voltage  | I/P-O/P:3KVAC I/P-FG:2KVAC O/P-FG:0.5KVAC   |
|                  | Insulation resistance  | I/P-O/P:100M Ohms / 500VDC / 25°C/ 70% RH   |
|                  | EMC Emission   | Compliant with EN55032 (CISPR32) Conduction is Class B, Radiation Class I has FG Class B and Class II does not have FG Class A, EN61000-3-2,-3, EAC TP TC 020 |
|                  | EMC Immunity   | Comply with EN61000-4-2,3,4,5,6,8,11, EN55024,EN61000-6-2, Class A heavy industry grade, EAC TP TC 020  |

## INSTALLATION



## CONTROL METHOD

- Web engineering configuration and setting construction plan ( For specific operation details, please refer to the dimming instructions on the website of Blueview smart control system)
- Voice control (with smart speakers such as TmallGenie).
- Touch screen control (with multi-functional central control LCD screen).
- App control: Blueview smart control APP



Blueview smart control APP

**BLUEVIEW ELEC-OPTIC TECH CO.,LTD**

☐ Tel: +86-28-8148 0011  
☐ Fax: +86-28-8148 1258

☐ Web.: [www.blueviewled.com](http://www.blueviewled.com)  
☐ Email: [sales@blueviewled.com](mailto:sales@blueviewled.com)

☐ Add.: No. 1000, Section 2, Konggang 2nd Road, Shuangliu, Chengdu 610207, Sichuan, CHINA