

200W Smart Wireless Power Supply Dual Color Temperature Bluetooth Dimming Power Supply

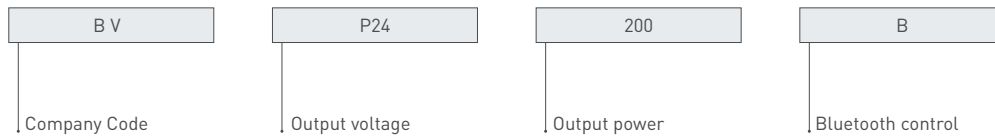


BV-P24200-B

FEATURES

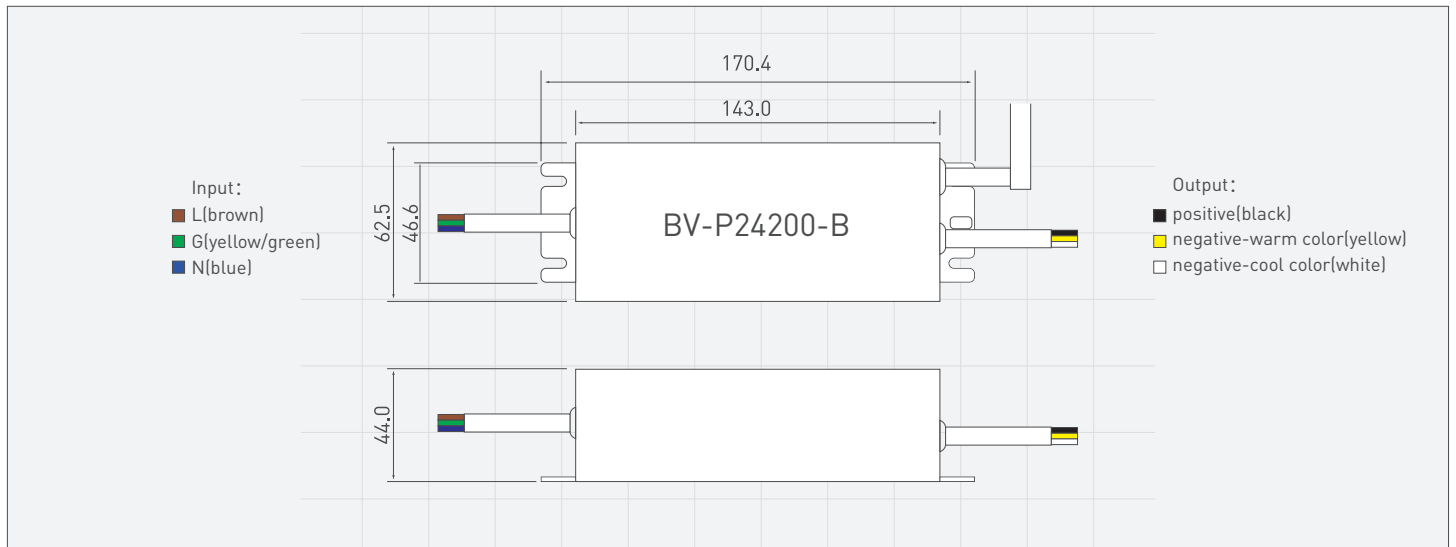
- Communicate with the gateway in Bluetooth mode, support web, APP, TmallGenie control, wireless smart dimming, and support dual-color temperature lamps.
- The mobile APP supports IOS and Android.
- Constant voltage power supply, output voltage 24V, maximum load power 200W.
- Protection type: short circuit / overload / over voltage / over temperature.
- Support sending mobile phone SMS alarm after the power output is short circuited, power reporting statistics, and timing dimming.
- Support wireless sensor remote control, can cooperate with temperature sensor, light sensor, tilt sensor and other wireless control.
- Can be matched with touch screen control, batch adjustment of multiple power supplies.

ORDERING CODE



PROFILE DRAWING

unit:mm



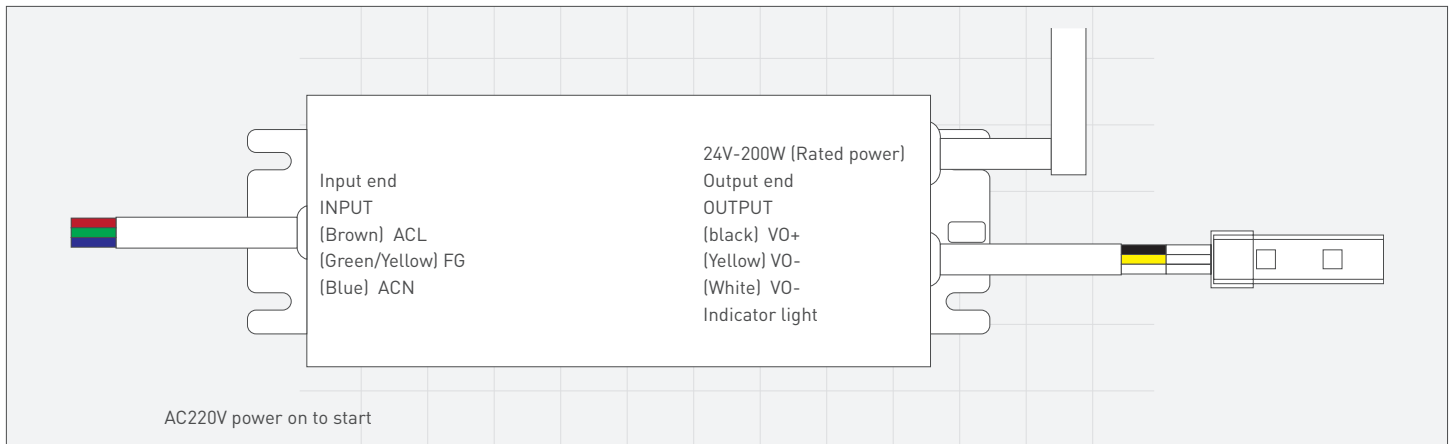
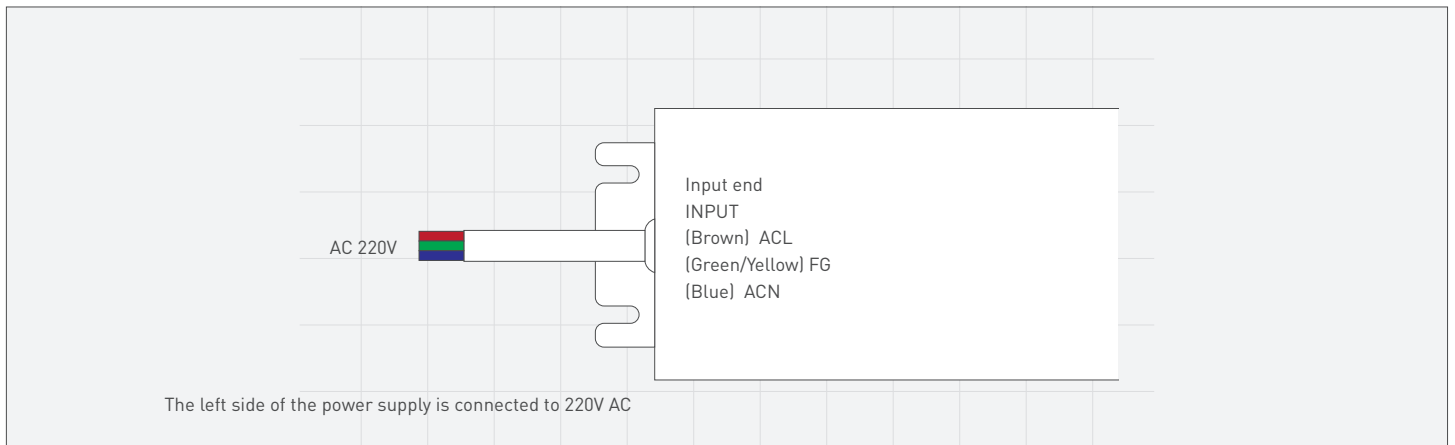
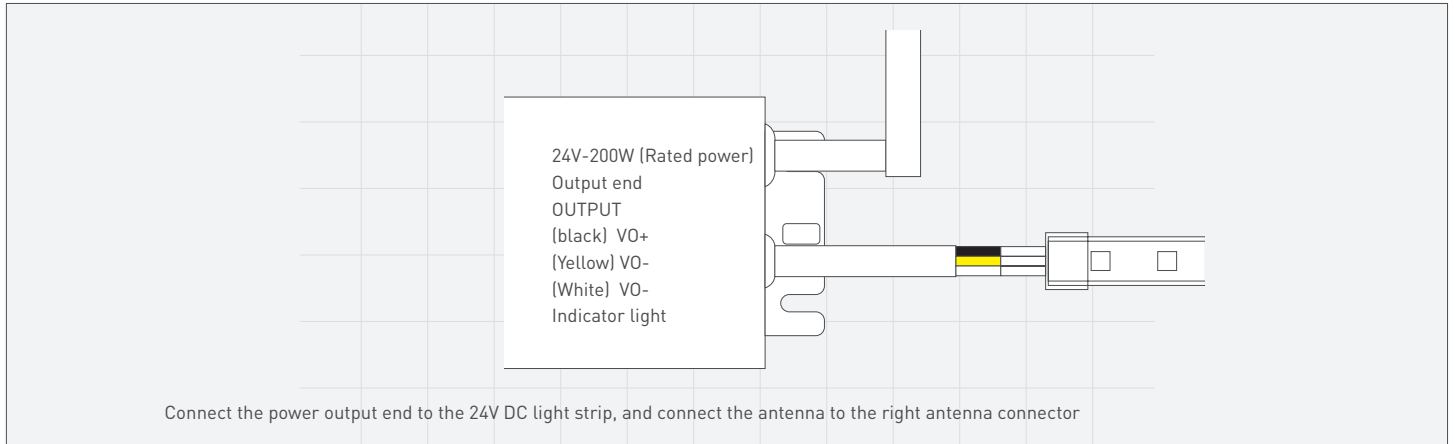
PRODUCT FUNCTION

- Remote dimming;
- Timing switch / dimming (carry out the plan);
- One key batch operation;
- Voice control;
- Expansion: automatic dimming with sensor and scene switching with touch screen

SPECIFICATION

Output	DC Voltage	24V
	Current	8.3-8.7A
	Rated power	200W
	Ripple and Noise	150mVp-p
	Voltage adjustment range	22.8~25.2V
	Voltage tolerance	±1.0%
	Line regulation	±0.5%
	Load regulation	±1.0%
	Set up time	500ms,30ms/230VAC 500ms,30ms/115VAC (full load)
	Holding time	12ms/230VAC 12ms/115VAC (full load)
Input	Voltage range	80 ~ 264VAC 113 ~ 370VDC
	Frequency range	47 ~ 63Hz
	Power factor	PF>0.88/230VAC PF>0.88/115VAC (full load)
	Efficiency(Typ.)	88%
	AC current(Typ.)	3.6A/115VAC 2A/230VAC
	Inrush current(Typ.)	cool start:30A/115VAC 60A/230VAC
Protection	Over load	100~110% of the rated output power
		Protection mode: hiccup mode, automatic recovery after the abnormal load condition is removed
	Over voltage	26.4 ~ 31.2V
		Protection mode: turn off the output, the normal output can be restored after the power is restarted
Over temperature	Protection mode: turn off the output, the normal output can be restored after the power is restarted	
Environment	Working temperature	-20~+40°C
	Working humidity	20 ~ 90%RH, non-condensing
	Storage temp. and humidity	-40 ~ +85°C, 10 ~ 95% RH
	Temp. coefficient	±0.03%/°C (0~50°C)
	Vibration	10-500Hz, 2G 10min./cycle, period for 60min. each along X, Y, Z axes
Safe and EMC	Safety standards	The power supply has passed the test of UL62368-1, TUV EN62368-1, IEC62368-1, EAC TP TC 004
	Withstand voltage	I/P-O/P:3KVAC I/P-FG:2KVAC O/P-FG:0.5KVAC
	Insulation resistance	I/P-O/P:100M Ohms / 500VDC / 25°C/ 70% RH
	EMC Emission	Compliant with EN55032 (CISPR32) Conduction is Class B, Radiation Class I has FG Class B and Class II does not have FG Class A, EN61000-3-2,-3, EAC TP TC 020
	EMC Immunity	Comply with EN61000-4-2,3,4,5,6,8,11, EN55024,EN61000-6-2, Class A heavy industry grade, EAC TP TC 020

INSTALLATION



CONTROL METHOD

- Web engineering configuration and setting construction plan (For specific operation details, please refer to the dimming instructions on the website of Blueview smart control system)
- Voice control (with smart speakers such as TmallGenie).
- Touch screen control (with multi-functional central control LCD screen).
- App control: Blueview smart control app

BLUEVIEW ELEC-OPTIC TECH CO.,LTD

☐ Tel.: +86-28-8148 0011
☐ Fax: +86-28-8148 1258

☐ Web.: www.blueviewled.com
☐ Email: sales@blueviewled.com

☐ Add.: No. 1000, Section 2, Konggang 2nd Road, Shuangliu, Chengdu 610207, Sichuan, CHINA