

Version: A1.5

Features

- Self-designed integrated LED lens with 175° beam angle.
- Diffuse reflection optical processing .
- Constant current design, high brightness, stable performance.
- Single module cuttable.

Application

Suitable for advertising light box with depth of 6-18cm, signage lighting and sign letters etc.

Installation

Fix by adhesive tape or screws



Specification

Model No.	Color Temperature(K)	Beam Angle	Typical Luminous Flux value(lm/pcs)	Ra	Efficacy(lm/W)	Voltage(V DC)	Power(W/pcs)
M6-2	6000-6500	175°	72	80+	100	12	0.72
M6-3			110				1.1

Other Parameters

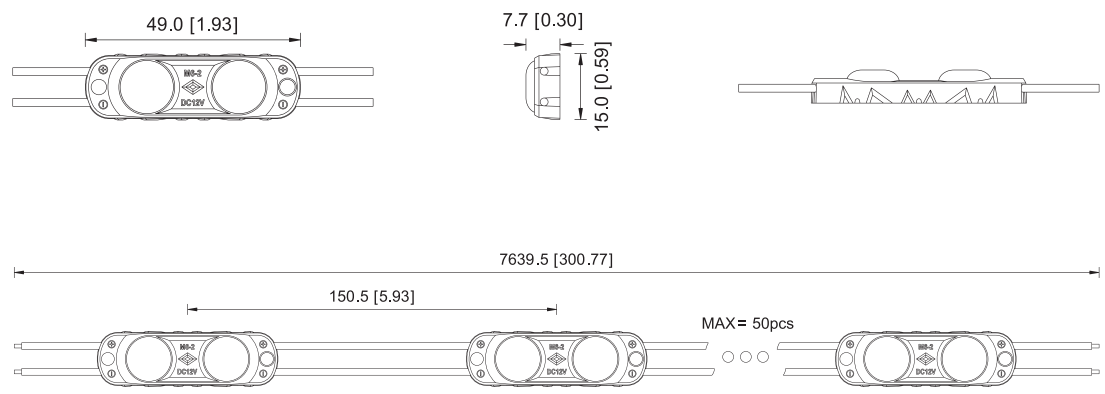
Model No.	LED Qty/pc	Product Size L*W*H(mm)	Standard Run (pcs)	Max Run (Single Feed)(pcs)	Working Temperature	Storage Temperature
M6-2	2	49*15*7.7	50	50	-20~+60°C	-20~+70°C
M6-3	3	70*15*7.7	40	40		

- NOTE:
1. Test environment temperature : 25±2°C.
 2. The luminous flux and power tolerance within ±10%.
 3. The actual data of each single product may differ from the typical values. The data is subject to change without notice.
 4. The luminous flux is tested with single color on.
 5. Different color temperature will make luminous flux different.

Profile Drawings

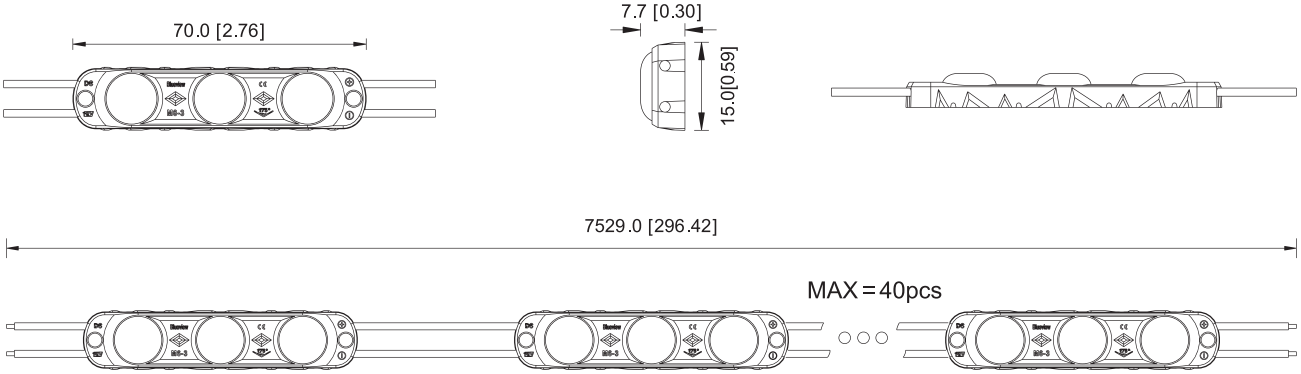
Unit:mm[inch]

M6-2





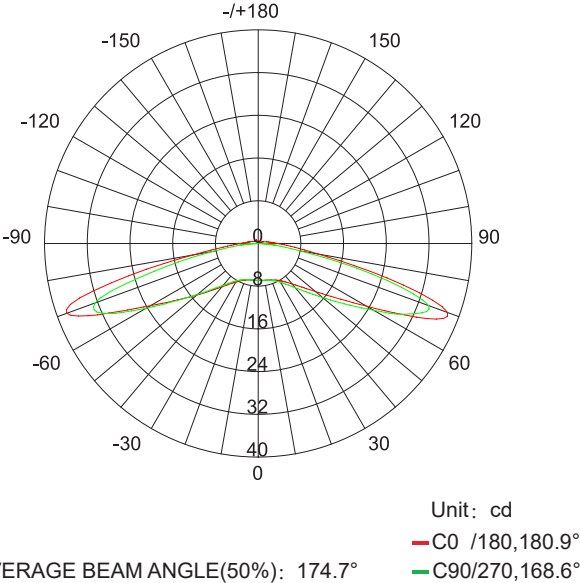
M6-3



Note: for detail drawing, please consult sales rep.

Luminous Intensity Distribution Diagram

Average Illumination



Flux Out: 100.9lm CCT=6000-6500K

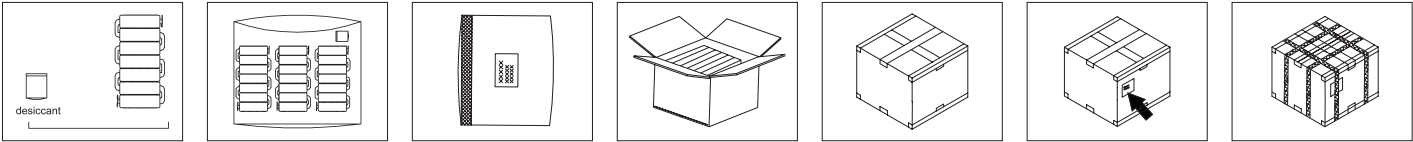
Height	Emax	Diameter
0.02m	614.5, 17361lx	40.06cm
0.04m	153.6, 4340lx	80.12cm
0.06m	68.27, 1929lx	120.18cm
0.08m	38.40, 1085lx	160.24cm
0.10m	24.58, 694.4lx	200.30cm
0.12m	17.07, 482.2lx	240.36cm
0.14m	12.54, 354.3lx	280.42cm
0.16m	9.601, 271.3lx	320.48cm
0.18m	7.586, 214.3lx	360.54cm
0.20m	6.145, 173.6lx	400.60cm

Height Eavg, Emax Beam Angle: 168.60° Diameter

Note: the above two figures are tested with the sample M6-3 at 6000-6500K, please contact sales for other data.



packing



1. Prepare the desiccant and bind the product.
2. Put the product and desiccant into static shielding bag.
3. Seal and label the static shielding bag
4. Put the products into a carton box.
5. Seal the box.
6. Label the box;
7. Use packing belt to pack after adding the edge protectors.

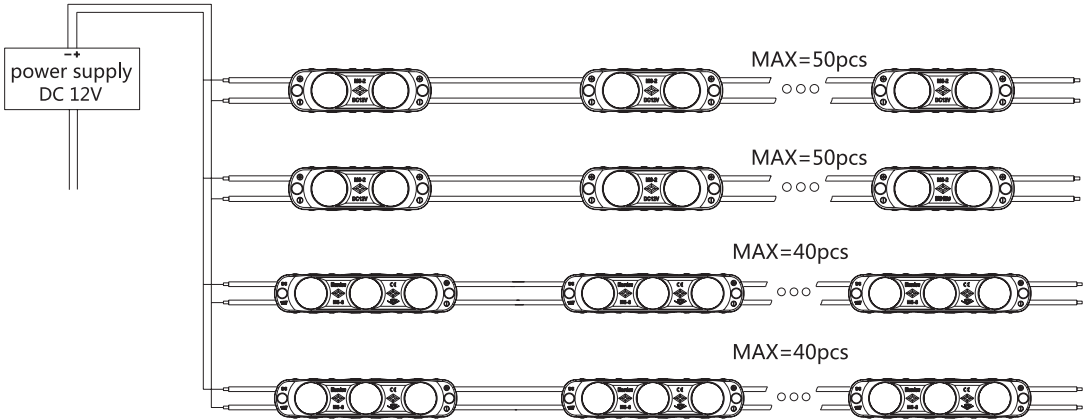
Packaging information

Model No.	Product Size L*W*H(mm)	Carton Size(mm)	PCS/Bag	Bag/Carton Box	Net Weight(kg)	Gross Weight(kg)
M6-2	49*15*7.7	390*390*325	100	20	16.15(1±10%)	17.25(1±10%)
M6-3	70*15*7.7	390*390*325	80	20	16.75(1±10%)	18.15(1±10%)

Note: The above quantity and weight are only for the illustrated packaging method. There will be differences in the quantity and weight with other packaging methods.

Installation

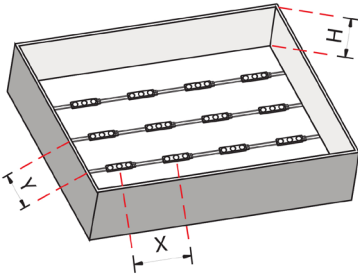
Connection Diagram





Installation Reference

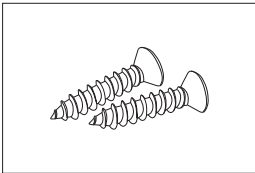
Model No	Surface Material	Depth(H) cm	Illumination (lux)	Evenness	Density (pcs/ m ²)	Spacing (X*Y)	Power Density (W/ m ²)	Visual Effects
M6-2	White Soft Film	6	4040-4860	0.83	10*10	10*10	72	OK
		8	2200-2630	0.84	7*8	15*12	40	
		10	1788-2130	0.84	7*7	15*15	35	
		12	1489-1701	0.88	7*7	15*15	35	
		15	1282-1465	0.88	7*7	15*15	35	
		18	1072-1207	0.89	7*7	15*15	35	
M6-3	White Soft Film	6	6520-7680	0.85	10*10	10*10	108	OK
		8	3290-4140	0.79	7*7	14*14	53	
		10	2310-2810	0.82	5*6	18*16	33	
		12	1891-2280	0.83	5*5	18*18	27	
		15	1671-1974	0.85	5*5	18*18	27	
		18	1531-1692	0.90	5*5	18*18	27	



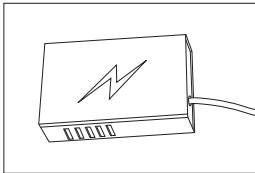
Note:

1. X indicates the horizontal center spacing between modules;
2. Y indicates the longitudinal center spacing between modules;
3. Single LED modules are arranged in a square, X=Y.
4. When the depth of lightbox H>18cm, use more products to satisfy Illumination demand.
5. Light Box Bottom is White
6. Please ask the sales for other data.

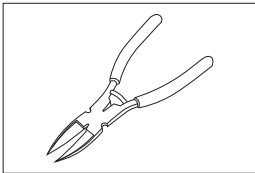
Accessories & Tools



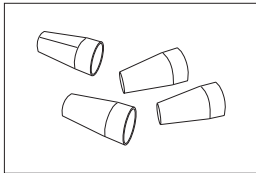
Screw



LED power supply



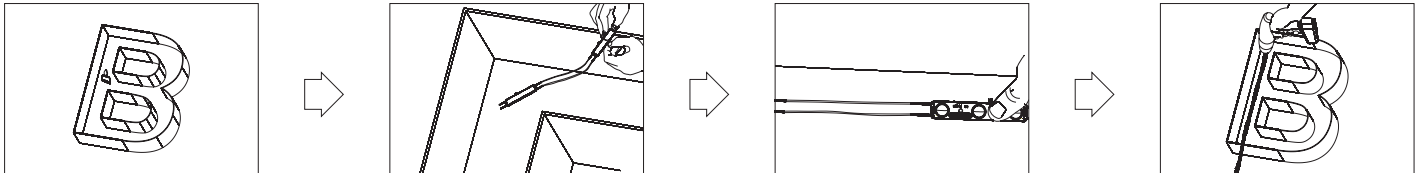
Diagonal Pliers



Connection Terminals



Installation steps



1. Clean the mounting surface free of dust and debris.
2. Peel away the self adhesive tape on the back of product and mount it onto the lightbox bottom.
3. Prefix the product and make sure it is flat and evenly arranged in light box.
4. Fix the product with screws and check and ensure correct wiring, then power on for self-test.

Attentions before installation

- Before installation, check that the product parameters are consistent with the requirements (Seeing product specifications or product labels)
- Load voltage, current, power and power supply should be matched with the product.
- Follow the instructions of wiring diagram (first connect the load and then the power supply) to avoid short circuit.
- Make sure the correct connection of positive and negative poles between products and power supply. Otherwise, the light will not be on.
- Make sure the power cord firmly screwed into the terminal and it should not be pulled out by hands.
- The terminal should have insulation, waterproof and anti-corrosive treatment.
- After installation, the fabric light box must be covered with cloth within 48 hours. Please avoid leaving the light box idle for a long time.

Common Faults and Troubleshoot

Quick Guide		
Problems	Reasons	Solutions
All LEDs can not light on.	No electric supply.	Fix the short circuit problem.
	Automatic power protection from the open or short circuit in output of the power supply.	
	Wrong connection of power supply.	
LEDs can not light on partly.	Some switching mode power supplies are not powered.	Correctly connection.
	Power supply line error.	
	Mistaken wire connection of some of products	
Brightness of LED is inconsistent tor insufficient.	Power overloaded.	Replace with more powerful power.
	Power supply circuit excessive consumption.	Make sure the working voltage of the product within $\pm 5\%$ of standard voltage, or keep balance by circuit power consumption.
	Excessive quantities in series connection of the product	Reduce the quantities of the product in series connection to meet requirement.
LED flicker.	Connection point fault.	Remove bad connection point.
	Switching power supply failure.	Replace a new power supply.
	Wrong Installation or use of products	Please follow the instructions



Warning

- Do not disassemble or retrofit the light. Do not touch the surface of the light with a sharp object.
- Do not do live-line working during installation, especially for high voltage product.
- Do not use any organic chemical solvents.
- Use neutral glass adhesive to fix this product and it needs to be dried 24 hours in the open environment after operation.
- Treat the ends and the circuit connection points that are not connected to the main line with insulation, waterproof, and anti-corrosion in the installation.
- Use 18AWG (0.75mm² cross-sectional area) or thicker core wire to avoid adverse consequences caused by overheating, if the power cable need to lengthen.
- Make sure the input voltage meets the requirements and lines are connected correctly before lighting on.
- This product is for signage, and do not use as general lighting.
- Series connection within the max run.
- The length of the power cable between the power supply and the led strip should not exceed 2 meters. Otherwise, large circuit loss will lead to inconsistent brightness.
- Installation, maintenance and repair should be operated by a qualified technician.

Statements and Recycling

Statements:

- Repair should be operated by a qualified technician, if the external circuit or main line of this product is damaged.
- The parameters given in this manual are typical values and for reference only.
- All illustrations and drawings in this manual are for reference.
- This product is subject to change without notice.

Recycling:

- LED lighting products belongs to electronic products, please do recycling treatment according to the relevant WEEE directives.